

Mechanical pressure switch with low leakage rate for vacuum and low pressures in OEM applications

Changeover contact

Special features

This mechanical pressure switch has an extremely low leakage rate and a high switch point accuracy at low pressures. The high quality construction gives the pressure switch a long life.



Field of application

This pressure switch is used in OEM applications, e.g. for the control and monitoring of partial vacuums in machines and plant or for monitoring the pressure of special gases in electrical engineering.

Product properties

The membrane used in this pressure switch in the aluminium housing is equally suitable for partial vacuums and pressure measurements. A setting screw enables the switching point to be easily set on site. The extremely low leakage rate ($< 4 \times 10^{-7}$ mbarl/s) and the decision not to use elastomer seals enable the pressure switch to be used with special gases or in a vacuum.

The exact design of the switch generally depends on the customer's requirements.

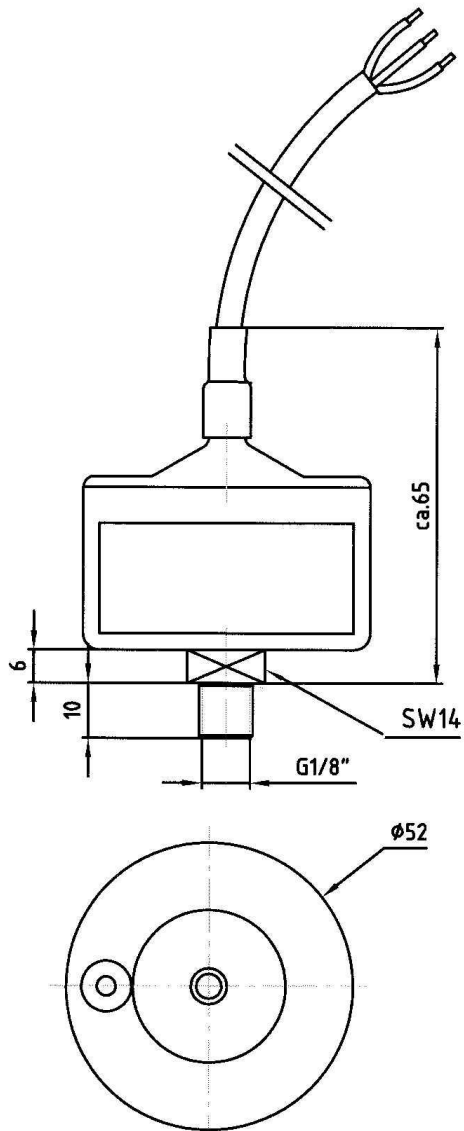
Technical data

Model	S4902	Options
Design	Custom designed Vacuum and low pressures	
Type of pressure	Vacuum and positive pressure	
Pressure connection	G 1/8 B	other threads
Principle of the measurement	Membrane	
Material Measuring unit Pressure connection Housing	Copper Beryllium Aluminium Aluminium	other materials other materials
Load cycles	1 million pressure cycles	
Switch outputs Number Switch function Switch unit Setting	1 Changeover contact Microswitch Switch point setting in the works	Gold plated contacts with adjustment screw, on site
Hysteresis	custom made	
Switching load 250 V	1 A (ohmic load) 0.5 A (inductive load) -	
Leakage rate	$< 4 \times 10^{-7}$ mbarl/s	
Temperature range Storage Measured material Environment	-25... +85°C -25... +85°C -25... +85°C	
Electrical connection	Wiring	Right angle plug EN 175301
Method of protection	IP 43	
Weight	approx. 0.1 kg	

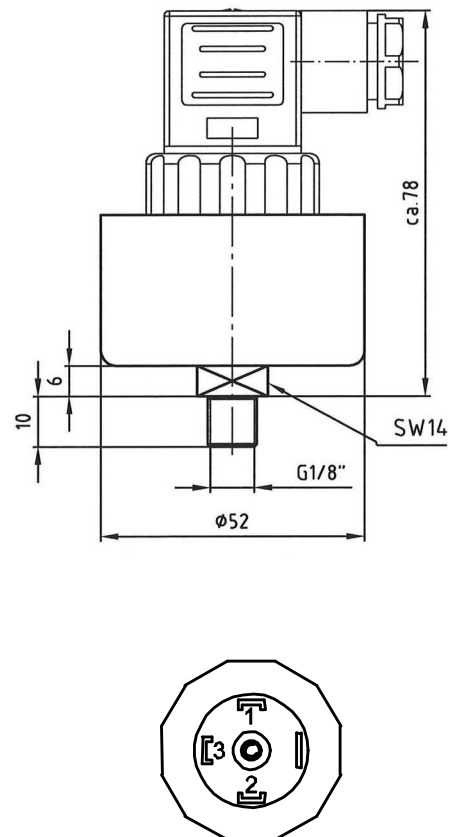
Dimensions

(all figures in mm)

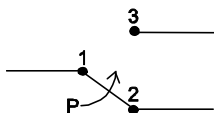
Model with wiring connection



Model with right angle plug



Switch function



Subject to technical changes