

Thermowell with flange

fabricated

Form 2F acc. to DIN 43772

for thermometer with female or male thread



Description

These thermowells TW99F are built up acc.to form 2F DIN 43772.

According to the standard, the thermometers are designed with a M24x1.5 running nut for thermometers with female thread.

Furthermore there are models similar to the form 2F/DIN43772, but with a thermometer connection for thermometers with male thread.

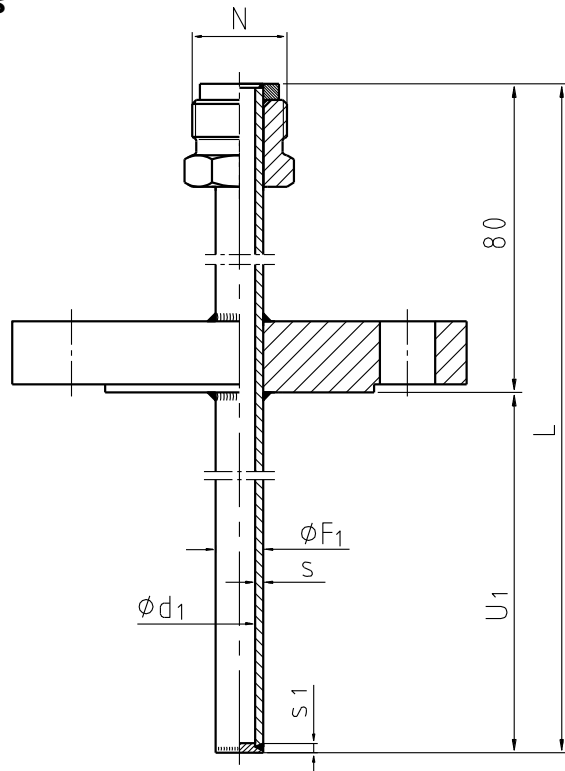
Technical data

Model	TW99F
Max. process temperature¹⁾	acc. to load diagrams of DIN 43772
Max. process pressure (statical)¹⁾	Dependent on flange pressure rate
Thermowell material	
Standard	Stainless Steel 316Ti (1.4571)
Optional	Special materials
Outer diameter	9mm, 11mm, 12mm, 14mm
Connection to thermometer	Running nut M24x1.5 Female thread G½, ½NPT
Process connection	Flanges to valid national and international standards e.g.. DIN 2527 , EN 1092-1 , ASME B 16.5
Bore size	7mm, 9mm, 11mm, 12.2mm
Insertion length U₁	Customer specific
Total length L	$L = U_1 + 80\text{mm}$

¹⁾ The rating depends on the process medium, -pressure, -temperature, flow rate and the design of the thermowell.
With critical applications, a separate wake frequency calculation is recommended.

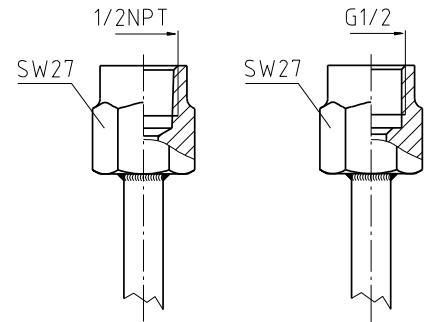
Model: TW99F

Dimensions



Legend

L	Total length
M	Head length
N	Connection to thermometer
U ₁	Insertion length
S	Wall thickness
S ₁	Tip thickness
Ød ₁	Bore size
ØF ₁	Outer diameter



Ød ₁	ØF ₁	S ₁	S	M	N
7	9	3	1	80	Running nut M24x1.5 G1½ female ½NPT female
	11		2		
	12	3.5	2.5		
9	14		2.5		

Suitable thermometer stem length

Design of connection	Thermometer stem length l ₁	
S standard, male thread 4/6 compression fitting	l ₁ =L-10mm	l ₁ =U ₁ + M + 10mm
2 male nut	l ₁ =L-30mm	l ₁ =U ₁ + M - 30mm
3 union nut	l ₁ =L-10mm	l ₁ =U ₁ + M + 10mm

Subject to technical modifications