

Remote thermometer in plastic housing with drum dial

Product line T4753 61 x 28
Product line T4755 62 x 29
Product line T4759 70 x 14



Description

The housings of this product line are equipped with moulded clips, providing easy and secure panel installation in vibration-free areas.

Measurements are recorded by the liquid-filled measuring system, which consists of a temperature sensor, a capillary tube and a Bourdon spring. These three components combine to form a closed tube system.

The internal pressure in this system changes depending on the temperature, which causes the pointer axle connected to the spring to rotate and display the temperature value on the scale.

Temperatures of between -40°C and $+200^{\circ}\text{C}$ are rapidly and accurately indicated by the closed system.

The capillary tube, which is between 500 mm and 3000 mm in length, allows measurements to be taken at any point using a mechanical remote display.

Features

- i Fast response time
- i Measuring point and display in different locations
- i Compact housing
- i Easy installation with clips.

Measuring ranges

$-40 \dots +40^{\circ}\text{C}$ up to $0 \dots +200^{\circ}\text{C}$

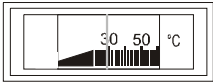
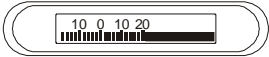
Options

- i Measuring range $^{\circ}\text{F}$

Applications

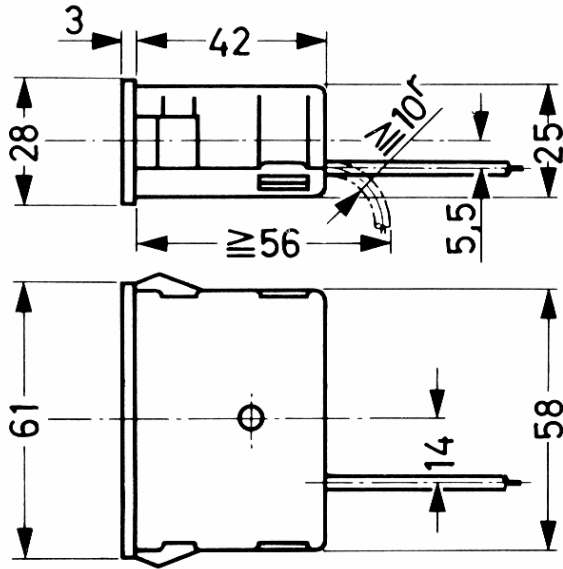
refrigeration industry
freezers
refrigerators

Technical data

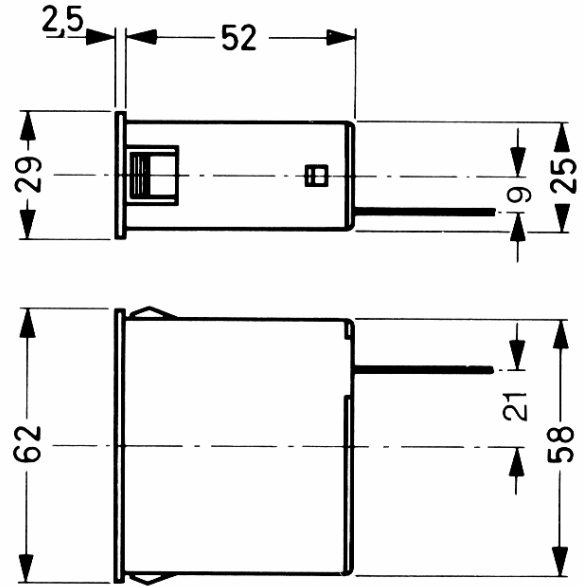
| Model | T4753 | T4755 | T4759 |
|------------------------------------|---|--------------------------|---|
| Symbol |  | |  |
| Nominal size | 61 x 28 | 62 x 29 | 70 x 14 |
| Case | plastic ABS | | |
| Type of mounting | Panel mounting with clamp | | |
| Window | plastic transparent | | |
| Measuring range and scale division | Measuring range in °C | limit of error ± °C | scale division in °C |
| | -40... +40 | 2 | 1 |
| | -40... +60 | 2 | 1 |
| | -30... +50 | 2 | 1 |
| | -20... +60 | 2 | 1 |
| | -20... +80 | 2 | 1 |
| | 0... 60 | 2 | 1 |
| | 0... 80 | 2 | 1 |
| | 0... 100 | 2 | 1 |
| | 0... 120 | 4 | 2 |
| | 0... 160 | 4 | 2 |
| 0... 200 | 4 | 2 | |
| Display accuracy | ± 3 % of measuring range | ± 2 % of measuring range | |
| Connection capillary | back | | |
| Capillary tube | plastic coated or copper braided acc. to measuring range, capillary Cu.-alloy | | |
| length | max. 3000 mm | max. 5000 mm | |
| Stem | Cu.-alloy | | |
| Filled media | Xylol | | |
| Measuring principle | Liquid expansion | | |
| max. temperature | case: -20 bis +70°C | | |
| Protection class | IP 54 (EN 60529/ IEC 529) | | |

Dimensions

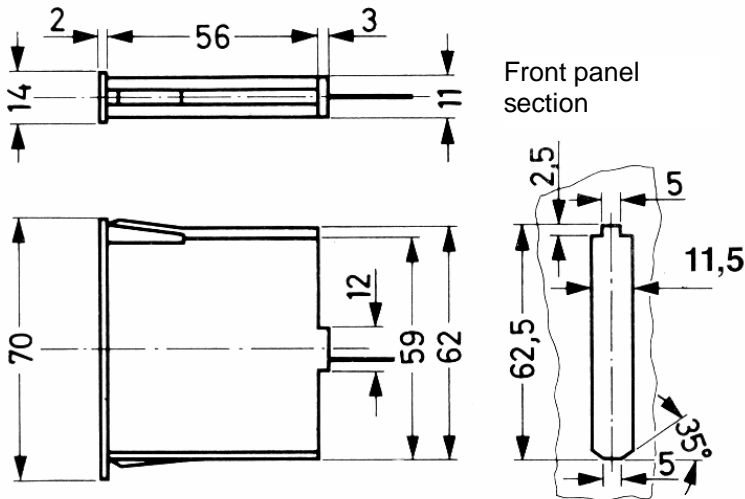
Model T4753 61 x 28



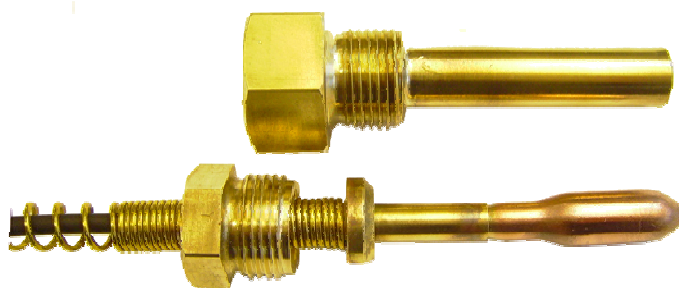
Model T4755 62 x 29

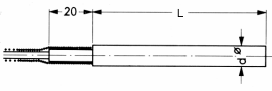
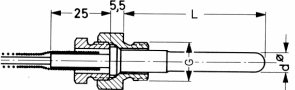
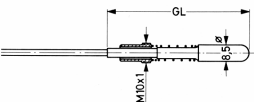


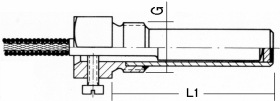
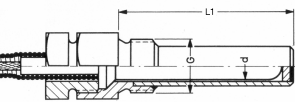
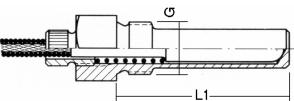
Model T4759 70 x 14



Stem and thermowells



| Stem | plain; without thread | turnable with sealing cone and screwing | turnable with fixation spring |
|-------------------------------|---|--|---|
| Material | Cu.-alloy | Cu.- alloy | Cu.- alloy |
| Stem length L | 50 mm 75 mm 100 mm 150 mm 175 mm | 50 mm 75 mm 100 mm 150 mm 175 mm | 75 mm 100 mm 125 mm 175 mm |
| Stem diameter $\varnothing d$ | 6 mm 8 mm 8,5 mm 10 mm | 6 mm 8 mm 8,5 mm 10 mm | 8,5 |
| Dimensions |  |  |  |
| Thread G | | M14x1,5 M16x1,5 M18x1,5 G 1/4 G 3/8 G 1/2 | |

| Thermowell | multipart jacket for plain sensor fixation | multipart jacket for sensors with sealing cone | multipart jacket for sensors with fixation spring |
|---------------------|---|--|---|
| Material | Cu.- alloy | Cu.- alloy | Cu.- alloy |
| Immersion length L1 | 100 mm 150 mm 200 mm | 80 mm 100 mm 150 mm 200 mm | 32 mm 45 mm 75 mm 100 mm 125 mm |
| Dimensions |  |  |  |
| Thread G | G 3/8 G 1/2 | G 3/8 G 1/2 M14x1,5 | G 1/4 G 3/8 G 1/2 M18x1,5 |

Ordering informations

Model / Measuring range / length of capillary tube / stem / options

Subject to technical changes