


- High pressure sensors

Ex ia I / IIC T6 acc. to ATEX

Accuracy: 0,5 %
Standard output: 4...20 mA; 2-wire system



Description

- pressure sensors Industrial Heavy Duty are top of the range products in Ex - pressure gauge technology.

The intrinsically safe Ex - pressure sensors are designed for zone 1 (optional mount on Zone 0) and have special type approval for use in potentially explosive atmospheres and a CENELEC certificate according to the ATEX, additionally accreditation according.

The measuring ranges range from 0...1600 bar to the maximum pressure range of 0...8000 bar. The case and wetted parts comprise stainless steel and are thus resistant to chemically aggressive media. The pressure connection and measuring element are up tightened via a metal cone. Therefore there is no risk of leakage in the welding seams.

A relief bore ensures a defined escape for the media in direction of the pressure connection in case of damage.

Several electrical connections can be obtained to pick up the electrical output signal.

The field case design enables use in aggravated operation conditions.

Pressure sensors Industrial Heavy Duty meet the electronic magnetic compatibility (EMC) requirements to EN 61326.

Features

- intrinsically safe, zone 1
- option: build to zone 0
- high long-term stability
- high accuracy
- finely graded selection of nominal pressure ranges according to EN
- corrosion resistant stainless steel design
- good repeatability
- high overload protection
- for dynamic and static measurements
- simple installation
- ATEX certificate

Measuring ranges

High pressure

Positive 0...1600 bar to 0... 8000 bar

Applications

Process engineering,
 plant engineering and construction,
 Chemical and pharmaceutical industry

Model: PEX15

Technical data

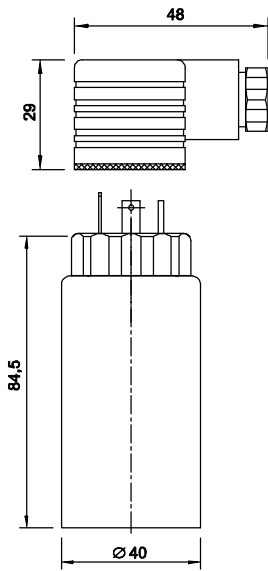
Model	PEX15	
Type	Standard with internal diaphragm	Field case with internal diaphragm
Pressure type	positive pressure	
Output signal	4...20 mA - 2-wire	
Accuracy % of F.S. ¹⁾	0,5 (option 0,25 BFSL)	
Measuring ranges acc. to EN	0 ... 1600 bar 0 ... 2500 bar 0 ... 4000 bar 0 ... 5000 bar 0 ... 6000 bar 0 ... 7000 bar 0 ... 8000 bar	
Repeatability	≤ ± 0,05 % of F.S.	
Stability (annual)	≤ ± 0,2 % of F.S. in rated conditions	
Case	stainless steel 1.4571	
Process connection	M16x1,5 female 9/16"--18UNF F250-C female M20 x 1,5 female	
Wetted parts	stainless steel	
Overload limit	≤ 5000 bar 1,2x; > 5000 bar 1,1x;	
Electr. connection and protection type acc. to EN 60 529/IEC529	Plug acc. to DIN EN 175301 - 803 A with cable outlet (PG 9), IP 65 Option: Round connector 4-pin M12x1, IP 67 Cable outlet IP 67 with 1,5 m cable with inner ventilation	Field case with internal diaphragm IP68
Power supply	10 ... 30 VDC (field case 11... 30 VDC)	
Power consumption	signal current	
Power PI	1W (750 mW with approval for Category 1D)	
Load standard	$R_A[\Omega] \leq (U_B[V]-10V)/0,02A - (0,14[\Omega] \times \text{cable length in [m]})$	
Load field case	$R_A[\Omega] \leq (U_B[V]-11V)/0,02A$	
Test circuit signal	$R_A[\Omega] < 15 \text{ max. load}$	
Temperature comp. Range	0... 80 °C	
Temperature influence	≤ 0,2 % /10 K on zero and span	
Adjustability	Zero and span up to ± 10%	
Response time	≤ 1 ms (within 10 % to 90 % of F.S.)	
Protection type	IP 65 acc. to EN 60 529/IEC 529	
CE-certification	89/336/EWG, interference emission and immunity see EN 61326, interference emission limit class A and B, ATEX EN 50014 (general part), EN 50 020 (intrinsic safety), EN 50 284 (Zone 0), EN 50303 (mining industry)	
HF immunity	10 V/m	
BURST	2 KV	
Electrical protection types	Protected against reverse polarity and short circuiting on the instrument side	
Explosion proof protection type ATEX	EEx ia I / IIC T4-T6 (BVS 08 ATEX E 067 X) ²⁾ category 1/2G, 2G, M1, M2	
Temperature ranges		
- storage	-30 ... 105 °C	
- media	-20... 80 °C ³⁾	
- ambient	-20 ... 80 °C ³⁾	
Weight	ca. 0,3 kg	

of.F.S.= of Full Scale

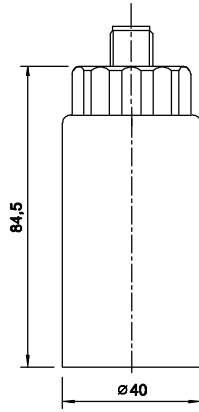
- 1) Terminal point adjustment acc. to IEC 61298-2, including non-linearity and hysteresis, zero point and full scale deviation
- 2) Application conditions and safety data see listing acc. to EC Type Test certificate (BVS 08 ATEX E 067 X)
- 3) Other temperature range, see listing acc. to EC Type Test certificate

Dimensions (mm)

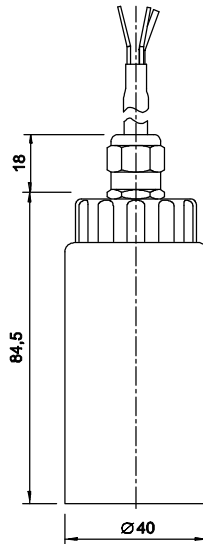
Plug DIN EN 175301-803 A
IP65



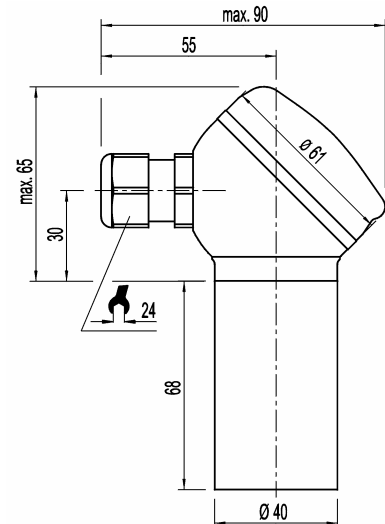
Round connector M12 x 1
IP67



Cable outlet
IP67

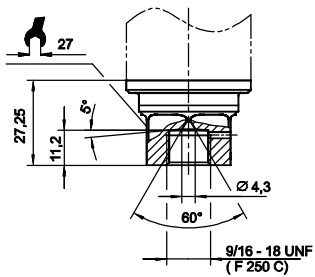


Field case
IP68

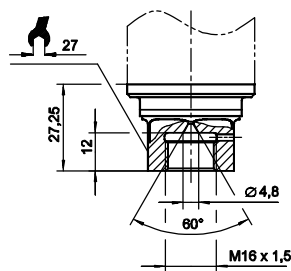


Pressure connection

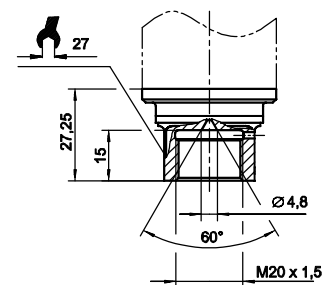
9/16 – 18 UNF



M16 x 1,5 female



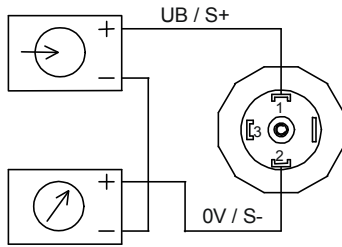
M20 x 1,5



Electrical connection

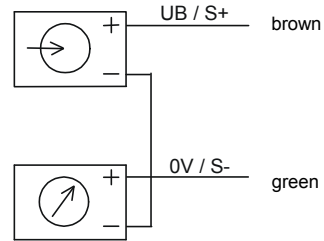
2-wire

Plug DIN EN 175301-803 A



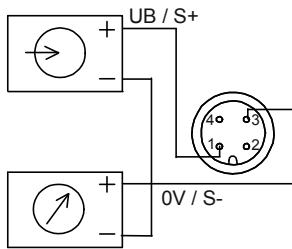
E-001

Cable outlet



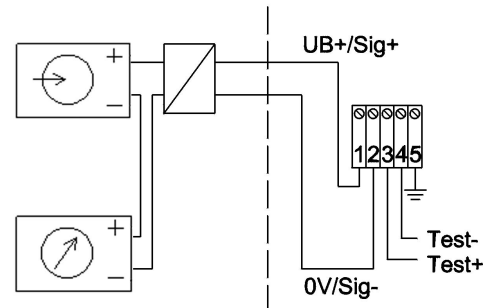
E-015

4-pol. round connector M 12 x 1



E-033

Field case



Ex-Zone (in comparison ATEX and CSA)

	Flammable material Present continuously	Flammable material Present intermittently	Flammable material Normally not present
ATEX	Zone 0	Zone 1	Zone 2
CSA	Zone 0	Zone 1	Zone 2
	Division 1		Division 2

		ATEX Group	CSA Class	Group
Strip mining	Gases and vapours	IIA / IIB / IIC	I	A / B / C / D / E / F / G
	Dusts		II	
	Fibres		III	
Mining	Gas/Dusts	I	ID/IIF	

Other details

1. Model
2. Measuring range
3. Options
4. **Ex-Zone**

Modifications reserved