

## Pressure Sensors „MagTrans“ for OEM applications



### Description

Pressure sensors „MagTrans“ are the ideal solutions for OEM applications for mid to high quantities. This is a result of good technical specifications and a very attractive price level. Due to the use of state of the art production lines we are able to provide short lead times and high quality.

The compact design with G ¼ B pressure connection enables space-saving and low-weight installation.

By using components approved in large-volume production „MagTrans“ reaches a very high degree of reliability at an extreme favourable price.

As a standard the pressure sensor provides a standardized voltage output. For applications extremely critical in price a ratiometric output can be obtained.

Round connectors M12x1 or cable outlets are used to pick up the electrical output signals.

The pressure sensors „MagTrans“ meet the electronic magnetic compatibility (EMC) requirements acc. to EN 61326.

### Features

- accuracy 1%
- compact design
- very good price-performance ratio
- components approved in large-volume production
- various voltage outputs

### Pressure ranges

gauge pressure

negative	-1 ... 0 bar	to	-0.1 ... 0 bar
positive	0 ... 0.1 bar	to	0 ... 25 bar

### Applications

OEM applications:

pumps and compressors,  
pneumatics,  
building services engineering,  
refrigeration.

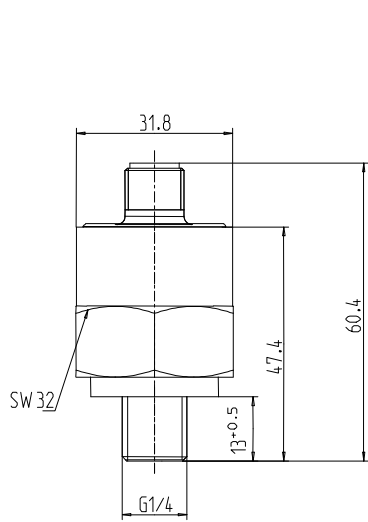
**Model: P3301**

## Technical data

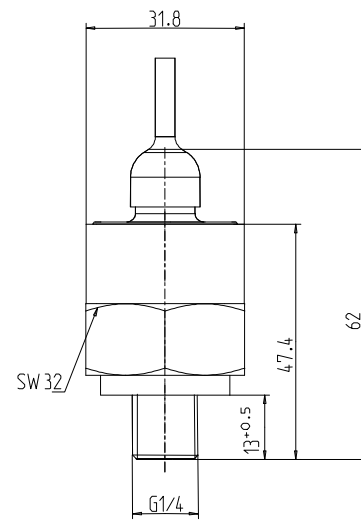
Model	P3301													
Pressure type	positive and / or negative gauge pressure													
Pressure range [bar]	0.1	0.16	0.25	0.4	0.6	1.0	1.6	2.5	4	6	10	16	25	
Overload limit [bar]	0.6	1.2	1.8	3.0	4.0	3.0	4.0	7.0	10	15	20	24	35	
Output signal	0.5 ... 4.5 VDC ratiometric 0...5 VDC 3-wire 0...10 VDC 3-wire other on request													
Power supply														
- 0.5 ... 4.5 VDC	5 VDC ± 10%													
- 0...5 VDC	8...30 VDC													
- 0...10 VDC	12...30 VDC													
Current consumption	9 mA													
Load														
- 0.5 ... 4.5 VDC	> 4.5 kΩ													
- 0...5 VDC	> 5 kΩ													
- 0...10 VDC	> 10 kΩ													
Residual ripple	max. 5% ss													
Accuracy <sup>1)</sup>	1.0% typ.													
Repeatability	0.06%													
Hysteresis	0.4% typ.													
Stability per year	0.4% (in rated conditions)													
Electr. connection	round connector M12x1 (4-pin), cable outlet with 2 m cable													
Pressure connection	G ¼, G 1/8, ¼ NPT M10x1, M12x1,5 7/16-20 UNF Schrader													
Materials														
- case	Brass													
- case top	Plastic													
- wetted parts	Brass, Ni- / Cu-alloy													
Temp.comp. range	-20...80°C													
Temperature range														
- media	-20 ... 80°C													
- ambient	-20 ... 80°C													
- storage	-40 ... 100°C													
Temperature influence														
- zero point	0.4% / 10K typ.													
- span	0.4% / 10K typ.													
Protection type	IP65 to EN60529 IP67 for cable outlet													
Response time	≤ 10 ms (within 10 % to 90 % of F.S.)													
Emission	to EN 61 326													
Interference	to EN 61 326													
Shock resistance	350g according to IEC 770 (mechanical shock)													
Vibration resistance	10g according to IEC 770 (vibration under resonance)													
Electrical protection	reverse polarity and over voltage protection													
Weight	approx. 90g													

1) Start point adjustment to DIN 16086

## Dimensions

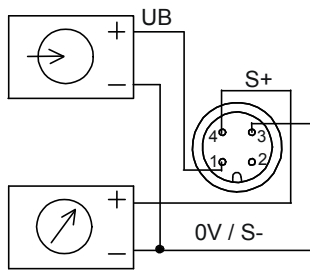


round connector M12x1, 4-pin



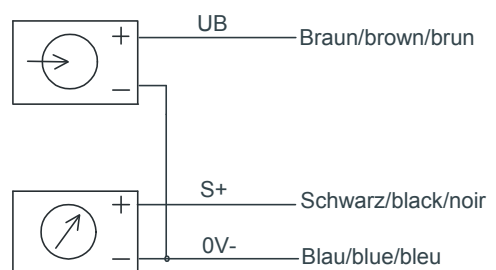
cable outlet

## Electrical connection



E-034

round connector M12x1, 4-pin



E-022.1

cable outlet

Subject to technical changes