

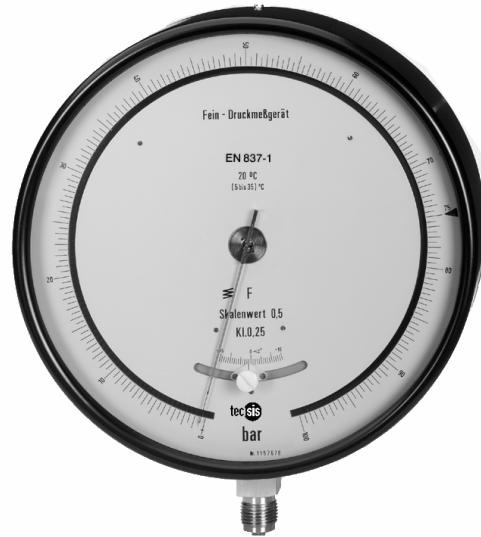
Test gauges with Bourdon tube

Nominal size ND 250 mm

Connection position bottom, radial

Accuracy class 0.25 and 0.1

according to EN 837-1



Description

Our test gauges have the accuracy of simple testing equipment (Dead weight testers). You will achieve the best possible accuracy which may be reached with bourdon tubes and scale plates.

A matured construction and components manufactured with highest precision contribute to the fulfillment of highest measuring requirements.

A rugged circular case encloses and protects the high-grade measuring system, made in a compact execution. Socket, measuring element, movement and dial form a unity. This assembly is mounted in the case not subjected to any force.

All wetted parts are manufactured of stainless steel in connection with a Ni-Fe alloy. Test gauges are fitted standardly with a 330° mirrored scale and a zero adjustment. The window is green tinted and non-reflecting.

Test gauges are suitable for measuring of non-aggressive gaseous and liquid media, although this may not be too viscous or be susceptible to crystallization.

Accuracy will be proved by means of a calibration certificate acc. to DIN 55 350 part 18 type M.

Features

- o Modular construction system ensures high reliability and long service life
- o Wetted parts in stainless steel in connection with a Ni-Fe alloy
- o Mirrored dial
- o 330° mirror band scale
- o Zero adjustment by rotatable dial $\pm 15^\circ$
- o Non-reflecting window

Ranges


0 ... 0.6 bar up to 0 ... 1600 bar

Applications

Calibration service, calibration authorities, testing of materials, research institutes, aeronautics and space technology, laboratories, reactor technology, quality assurance.

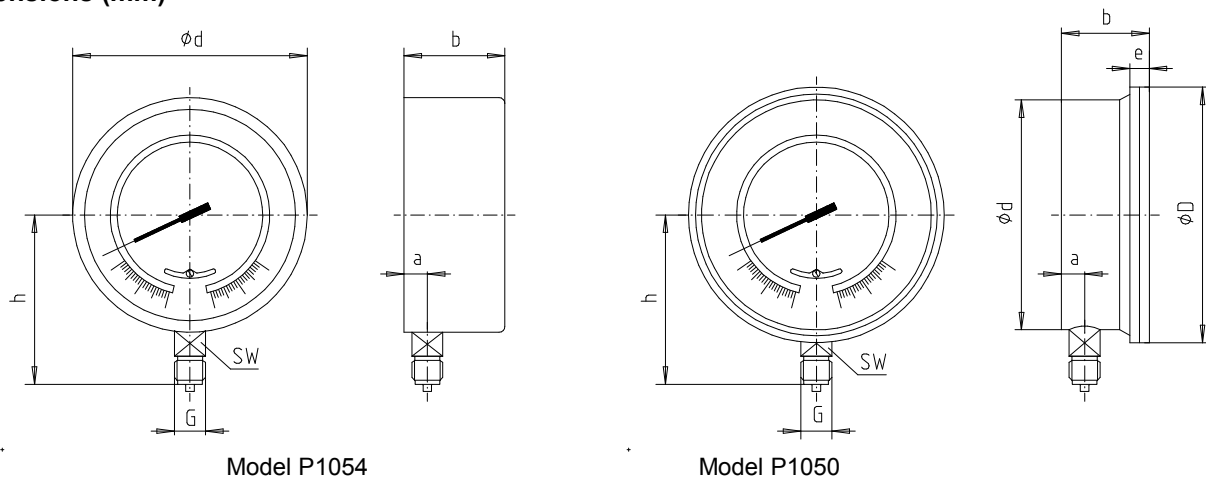
Model: P1054 , P1050

Technical data

Models	P1054	P1050	Options
Nominal size (mm)	250		
Symbol			
Accuracy	0.25 according to EN 837-1	0.1 according to EN 837-1	DKD-certificate
Ranges	0...0.6 bar up to 0...1600 bar negative or positive / negative and positive gauge pressure		
Application	Static pressure : up to full scale value Dynamic pressure : up to 0.9 times full scale value 1.3 times max. rating, shortly		
Case	Steel, black finish	Flanged case with separation wall, aluminium, black-silver	Back flange, pressure relief opening
Bezel	Steel, black finish	Flange ring, aluminium, black-silver	Model P1054 Front flange
Window	Plexiglass, green tinted to reduce the reflection		
Dial	Aluminium white, scale markings black, mirrored scale 330°, zero adjustment, rotatable ± 15°		Dual scale or special scale
Pointer	Knife edge pointer, aluminium, black		
Movement	Brass, bearing parts nickel-silver, fixed during transport		
Measuring element	NiFe - alloy, <100 bar Bourdon tube, ≥100 bar helical tube		
Connection	Stainless steel, s.s. 1. 4571 bottom - Location - Thread G 1/2 B, 22 mm wrench flats, 1/2-14 NPT		Other threads on request
Temperatures - Media	Tmin. -20°C, Tmax. 100°C		
- Ambient	Tmin. -20°C, Tmax. 60°C		
Temperature drift	± 0.1 % / 10K if deviation from normal temperature 20°C		
Protection	IP 54 according to EN 60 529 / IEC 529		
Calibration medium 1)	≤25 bar : gas, >25 bar : oil		≥ 4 bar : oil
Orifice			ø0.4 ; ø0.8
Accessories			Carrying case, KD- service
Approximate weight	3.0 kg	6.0 kg	

1) Please state the used medium when ordering, because with the change of the pressure transmitting medium gas (G) or liquid (F), display changes can take place

Dimensions (mm)



Model	Dimensions (mm)							
	a	b	Ø d	Ø D	e	h ±1	G	SW
P1054	17	71	250	--	--	165	G 1/2 B	22
P1050	22	78	250	277	16.5	165	G 1/2 B	22