

## All stainless steel safety gauges for ultra high pressures

Nominal sizes ND 160



**Model P1705**



**Model P1709**

### Description

The ultra high pressure gauge program covers ranges of 0 ... 2500 bar to 0 ... 10000 bar. The instruments are available in accuracy class 1.0, 0.6 resp. 0.25.

The use of special materials with highest durability is one of the main requirements for the production of pressurized instrument parts.

The measuring element is a helical Bourdon tube with a concentric shape. The connection is made of Nickel-Chrome-Titanium alloy.

The solid front between measuring system and dial and the blow-out back (acc. to EN837-1/S3) are part of the safety features of the ultra high pressure gauges.

### Features

- o Measuring system of high corrosion-resistant materials
- o Corrosion resistant
- o Rugged construction
- o Fulfils highest safety requirements
- o Solid front between measuring system and dial
- o Dampening by liquid filling of case (option)

### Measuring ranges


0 ... 2500 bar to 0 ... 10000 bar

### Applications

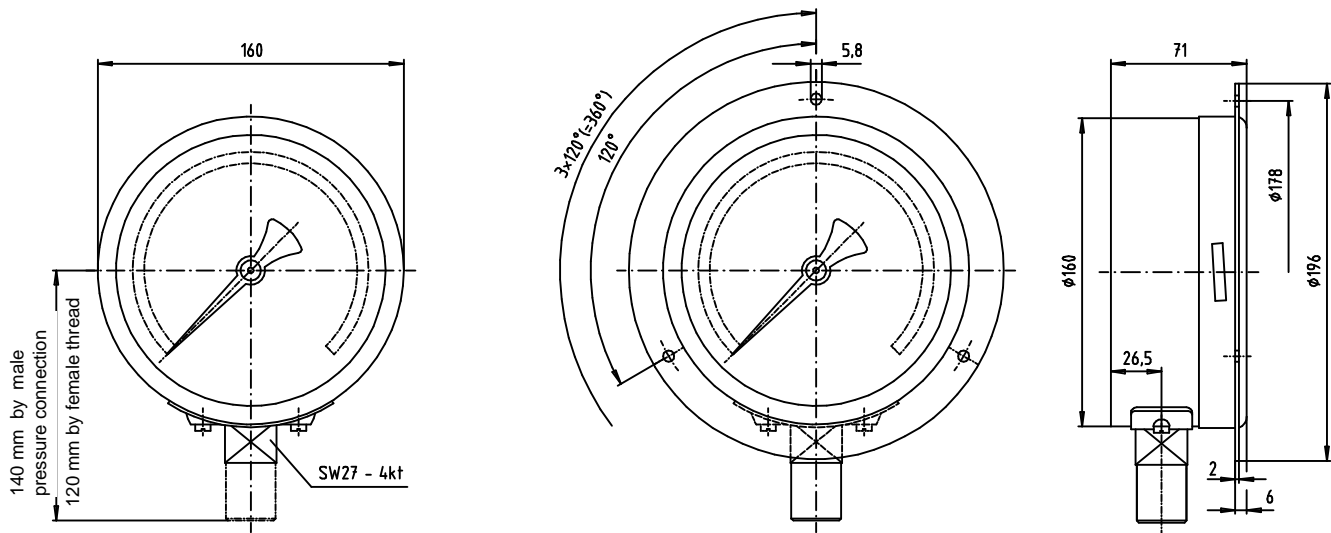
Processing technology,  
research and development, machine building,  
high pressure test benches, burst test benches,  
liquid jet cutting equipment, ballistics.

**Models: P1705, P1706, P1709**

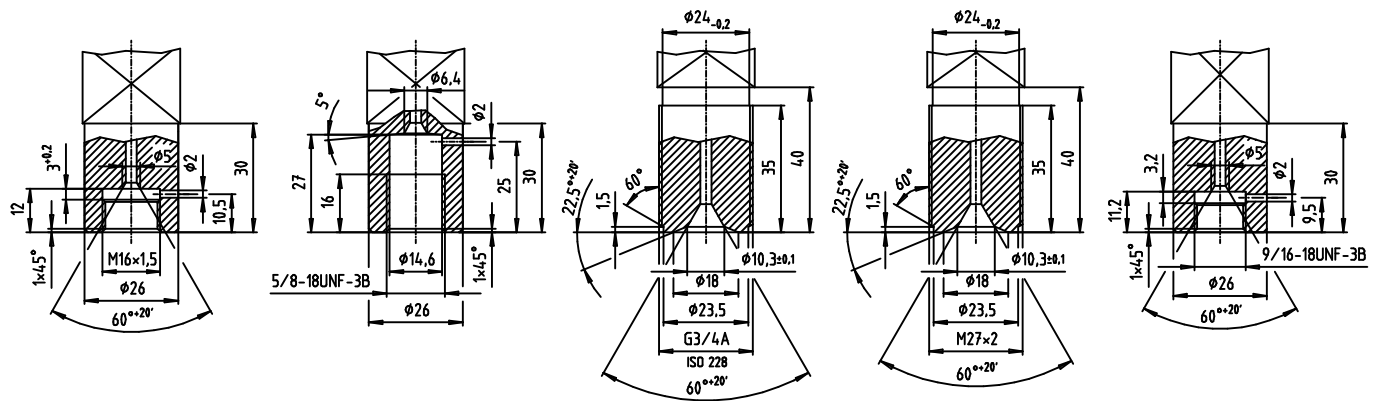
## Technical data

Models	P1705	P1706	P1709	Options
Nominal size	160			
Symbol				
Accuracy class to EN 837-1	1.0	0.6	0.25	
Ranges bar	0 ... 2500; to max. 10000	0 ... 2500; to max. 6000	0 ... 2500; to max. 4000	
Applications	3/4 full scale value			
Overrange protection	1.05 full scale value			
Housing	1.4301 with blow-out back, solid front			
Bezel	Stainless steel 1.4301 bayonet ring			
Mounting	Stainless steel polished			Front flange, gauge holder
Window	Laminated safety glass			
Dial	Aluminium white, black imprint		Aluminium white, mirrored	
Pointer	Aluminium, black			Max. indicating pointer for Class 1.0
Movement	Stainless steel			
Measuring element	Stainless steel			
Connection - position - thread	Stainless steel radial bottom M 16 x 1.5 female with cone 60°; other 5/8-18 UNF-3B female with cone 60° (Autoclave Engineers); 9/16-18 UNF-3B female with cone 60°; M 27 x 2 for sealing lens with cone 60°; (max. 4000 bar) G3/4 A to ISO 228/1 (max. 4000 bar)			
Liquid filling	none, instrument is field fillable			Glycerine filling
Protection	IP 65 EN 60 529/IEC 529			
Temperatures - Medium - Ambient	Tmin. -20°C, Tmax. 100°C Tmin. -25°C, Tmax. 60°C			
Weight	2.0 kg			3.2 kg with glycerine filling

## Dimensions



## Thread connection for ultra high pressure gauges:



Modifications reserved