

## Heavy Duty pressure gauges with diaphragm system

Nominal sizes ND 60

Connection position back, eccentric



### Description

The Heavy Duty pressure gauges with diaphragm system are suitable for measuring jobs where strong mechanical vibrations or pressure pulses may arise. They comply with the accident prevention regulation on compressors ( VBG 16 ), and thus fulfil the safety requirements of EN 837-3 / S2 .

The annular fitted measuring element (diaphragm) is considerably less sensitive to pressure pulses, vibrations and shock than other measuring elements. Furthermore, diaphragm systems have a relatively large actuating force to activate the pressure display even at low pressures.

The gauges are designed and manufactured on the basis of a modular construction system, associated with increased reliability and extended service life.

Heavy Duty pressure gauges with diaphragm systems are thus products which are designed especially for use in harsh conditions.

### Features

- o High reliability and long service life due to modular construction system
- o Insensitive to pressure pulses and mechanical vibrations
- o High level of shock resistance
- o Complies with safety requirements of EN 837-3
- o Galvanized steel casing
- o Casing with illumination
- o Table mounting option

### Ranges

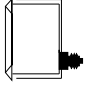
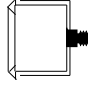
0 ... 1 bar to 0 ... 40 bar

### Applications

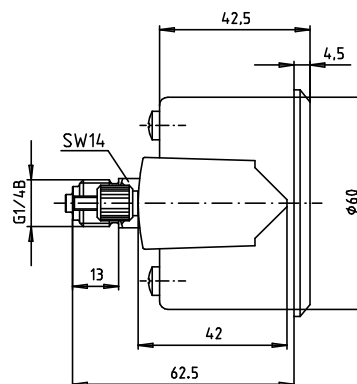
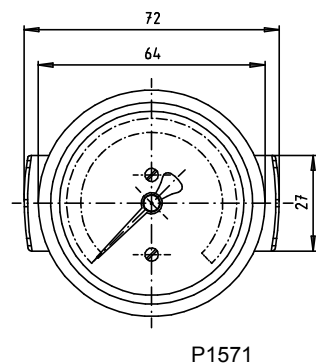
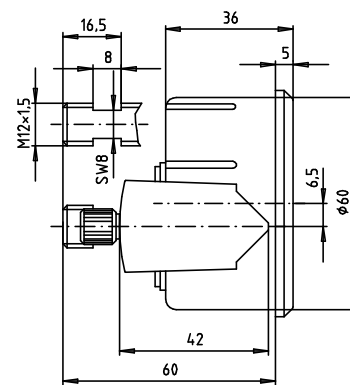
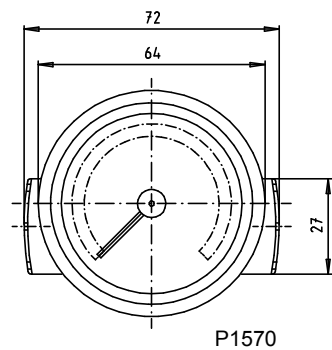
Compressors, turbo-chargers, hydraulics, pumps, automotive engineering and general mechanical engineering

Models: P1570, P1571

## Technical data

| Models  | P1570   | P1571   | Options   |
|---|---|---|---|
| Nominal size  | 60  |   |   |
| Symbol  |        |  |   |
| Accuracy class  | 2.5 to EN 837-3   |   |   |
| Ranges  | 0...4 bar to 0...16 bar<br>negative or positive or negative and positive gauge pressure |   | 0...1 bar to 0...40 bar   |
| Application:<br>Constant load<br>Dynamic load<br>short-time | 3/4 x full scale value<br>2/3 x full scale value<br>full scale value                    |   | up to full scale value<br>up to 0.9 x full scale value<br>Overload capacity 1.3 x |
| Case  | Steel, galvanized   |   | with illumination   |
| Bezel   | Brass, chrome plated, triangular bezel  |   | Steel, black  |
| Mounting bracket  | Steel, galvanized   |   |   |
| Window  | Glass lens  |   |   |
| Dial  | Aluminium, white, scale and imprint black   |   | Safety glass and Plexiglass<br>Dual scale   |
| Pointer   | Aluminium, black  | Aluminium, black  |   |
| Movement  | CuZn-alloy  |   |   |
| Measuring element   | Copper alloy  |   |   |
| Pressure connection<br>- position                           | Steel, galvanized<br>back<br>eccentric  | Copper alloy<br>back<br>centric   |   |
| - thread  | M 12x1.5, taper 24, tube $\varnothing$ 6  | G 1/4 B   | Other threads on request  |
| Temperatures<br>- Medium<br>- Ambient                       | Tmin. -20°C, Tmax. 80°C<br>Tmin. -25°C, Tmax. 60°C                                      |   |   |
| Temperature drift   | 0.5 %/10K if deviation from normal temperature 20°C                                     |   |   |
| Protection  | IP 54 to EN 60 529/IEC 529  |   |   |
| Orifice   | $\varnothing$ 0.3 ; $\varnothing$ 0.4 ; $\varnothing$ 0.8                               |   |   |
| Weight approx.  | 0.230 kg  | 0.380 kg  |   |

## Dimensions



Modifications reserved