

Detachable display

(mA and V)



Description

The EZE55 detachable display is the ideal solution for providing a local display of the force measurement and transferring the signal at the same time.

Because it is programmable and easy to install, the detachable display is easy to retrofit to power sensors that are already in use. The scale of the display can be directly adjusted on site without the need for additional equipment. With an input signal of 4 to 20 mA, the power supply comes directly from the current loop, meaning that no auxiliary power is required. The units (0.1N, t and kg), the decimal point, the display range, the zero point and the switching points can be adjusted using the control buttons.

The seven-millimetre high, red LED display is easy to read. Two versions are available so that the display can be adapted to the relevant installation situation: Connected to bottom or rear of measuring transducer.

Features

- 4-digit LED, red, 7 mm high
- For mA (2-wire) and V-signals
- Direct mounting on force transducers
- Without additional power supply
- 2 transistor outputs
- very compact construction

Display ranges / options

- 4 to 20 mA -999 to 6000
- 0.1 to 10.1V -999 to 6000

Applications

- Machine tools
- Testing technology
- General industrial applications

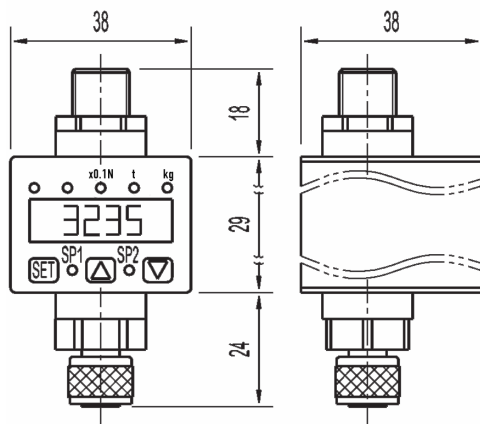
Model: **EZE55**

Technical Data

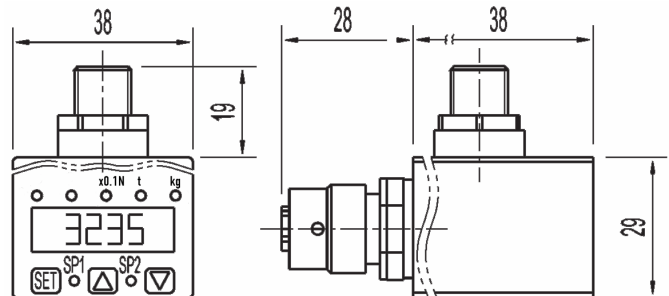
Model	EEZE55	
Output	<ul style="list-style-type: none"> - Display - Accuracy - Signal 	4-digit LED, red 7 mm high, Switching status display $\leq 0.5\%$ of F.S. ± 1 digit analogue signal of the force transducer is directly looped through; 2 transistor outputs
Input	<ul style="list-style-type: none"> - Signal - Resolution - Limit frequency 	4 to 20 mA, 2-wire (power supply from current loop, 6 V voltage load) Output max. -999 to + 6000 D Switching delay of the outputs <15 ms
Setting	Via keyboard	
Power requirement	16 ... 30 VDC (at 4 ... 20 mA)	15 ... 30 VDC (at 0 ... 10 V)
Nominal temperature range	-20°C ... +80°C	
Service temperature range	-30°C ... +85°C	
Storage temperature range	-30°C ... +85°C	
Protection type (acc. to EN 60 529/IEC 529)	IP 65	
Housing	<ul style="list-style-type: none"> - Material - Dimensions (W x H x D) 	Plastic 38 x 29 x 38 (without connecting plug)
Weight	50 g	
Scale adjustment	menu-guided programming with using external buttons adjustable measuring range free choice of decimal point programmable units: 0.1N, t and kg freely adjustable zero point within $\pm 10\%$ or range	
Max. permitted input	± 40 mA (momentary)	± 40 VDC (momentary)
Switching output	individually adjustable using external control buttons	
Quantity	galvanically separated switch output	1 x NPN open collector
Operation	make contact, break contact	
Adjustment	freely adjustable within 1 to 99 % of range	
Temperature error	< 0.1% / 10 K	
Max. switching current	300 mA	
Hysteresis	0.5 % (fixed)	
Influence of auxiliary power	< 0.1% / 10 V	
Electrical connection	round connector M 12x1, 5-pin	

Dimension diagram

Round connector, M 12x1, 5-pin



Connecting socket for round connector



Electrical connection

Analogue output 4 to 20mA (2-wire technology)				Analogue output 0 to 10V (3-wire technology)			
<p>Round connector M12x1, 4-pin</p> <p style="text-align: right;">940E01</p>				<p>Round connector M12x1, 4-pin</p> <p style="text-align: right;">940E04</p>			
Input		Output		Input		Output	
1	$U_B+/S+$	1	$U_B+/S+$	1	U_B+	1	U_B+
2	--	2	Switch output out1	2	--	2	Switch output out1
3	$0V / S-$	3	$0V / S-$	3	$0V / S-$	3	$0V / S-$, Switch output, ground
4	--	4	Switch output ground (potential-free)	4	$S+$	4	$S+$
		5	Switch output out2			5	Switch output out2

Modifications reserved