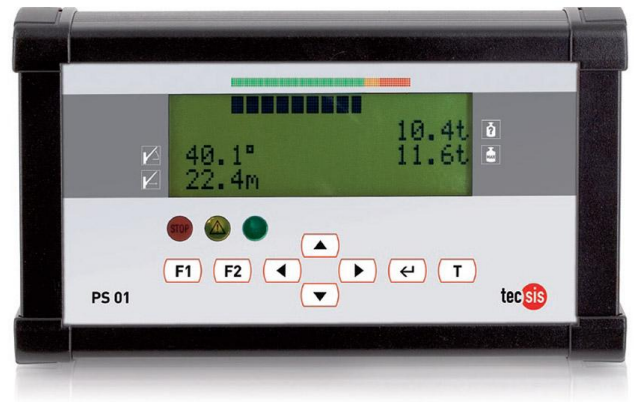


Load monitoring system for harbour logistics

EEPS01



Description

Load torque limiting system EPS01 is intended for displaying load, reach or wind speed. In combination with the relevant sensors, it is used for monitoring the loading on a harbour crane.

Overload safety system EPS01 is an operating aid that warns the crane driver about imminent overloading of the crane, in order to avoid possible damage of injury to persons.

Features

- Ease of assembly
- Fast commissioning
- Menu driven configuration via PC
- Programming interface RS232
- Safety relay
- Easily readable, clear plain text display
- Accuracy 0.2% FS
- Protection type IP 65

Applications

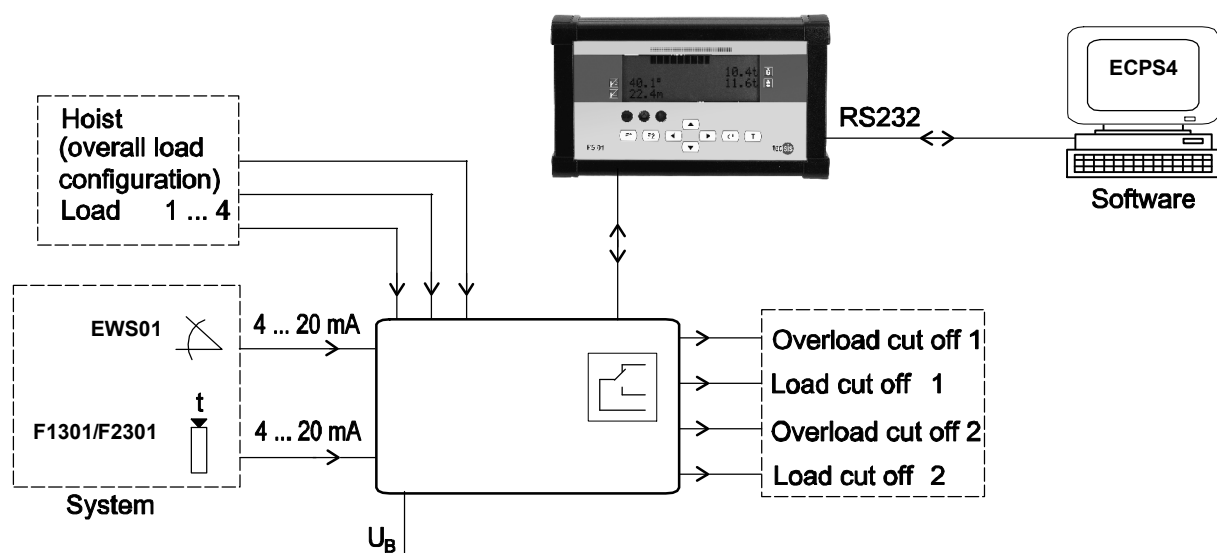
- Overload protection for harbour cranes, realised with the influencing quantities:
 - Load
 - Boom angle
 - Load chart

Model: EPS01

Technical Data

Model	EPS01
Cut-in drift	
- 10% F_S	< 0.05%
- 100% F_S	< 0.05%
Input	
- Signal	2 x 4 ... 20 mA
- Repeat accuracy	< 0.1%
- Accuracy	0.2% F_S
4 x Digital output	
- Set points	freely programmable
- Hysteresis	freely programmable
Power requirement (external)	10 ... 30 VDC optional 100 ... 230 VAC; 1 A
Turn-on voltage, maximal	250 VAC
Power rating AC maximal	1500 VA
Nominal temperature range	-20°C ... +70°C
Storage temperature range	-25°C ... +80°C
1 x Switching output (failure)	
Noise emission	acc. to EN 61326
Noise immunity	acc. to EN 61326
Electrical protection	Reverse voltage, overvoltage and short circuit protection
Display	4x 20 display backlight
Operation	Keypad with 7 keys, 2 as functions keys
Illumination	1x red overload, 1x yellow advance warning, 1x green special function

Electrical connection



Subject of technical changes