

## Threaded resistance thermometer Model TR10-C with fabricated thermowell model TW35

WIKA data sheet TE 60.03



### Applications

- Machinery, plant and vessel construction
- Energy and power plant technology
- Chemical industry
- Food and beverage industry
- Sanitary, heating and air-conditioning technology

### Special features

- Application ranges from -200 ... +600 °C
- Model TW35 fabricated thermowell included
- Spring-loaded measuring insert (replaceable)
- Explosion-protected versions Ex-i, Ex-n and NAMUR NE24

### Description

Resistance thermometers of this series are designed for screw-fitting directly into the process, mainly in vessels and pipelines.

These thermometers are suitable for liquid and gaseous media under moderate mechanical load and normal chemical conditions. The model TW35 thermowell is made of fully-welded stainless steel and screwed into the connection head. The interchangeable measuring insert can be removed without taking out the complete probe from the plant. This enables inspection, verification of the measuring chain and when servicing is necessary, replacement during operation and while the plant is running. The choice of standard lengths assists with the short delivery times and the possibility of stocking spare parts.



**Threaded resistance thermometer model TR10-C with fabricated thermowell model TW35**

Insertion length, process connection, thermowell design, connection head, type and number of sensors, accuracy and method of connection can each be selected to suit the respective application.

Optionally we can fit analogue or digital transmitters from the WIKA range into the connection head of the TR10-C.

## Sensor

The sensor is located in the measuring insert. This is replaceable and spring-loaded.

### Sensor connection method

- 2-wire The lead resistance is recorded as an error in the measurement.
- 3-wire With a cable length of approx. 30 m or longer, measuring errors can occur.
- 4-wire The internal lead resistance of the connecting wires is negligible.

### Tolerance value of the sensor to DIN EN 60751

- Class B
- Class A
- Class AA

The combinations of a 2-wire connection with Class A / Class AA are not permissible, since the lead resistance of the measuring insert negates the higher sensor accuracy.

For detailed specifications for Pt100 sensors, see Technical Information IN 00.17 at [www.wika.com](http://www.wika.com).

## Measuring insert

The measuring insert is made of a vibration-resistant, sheathed, mineral-insulated cable (MI cable). The diameter of the measuring insert should be approx. 1 mm smaller than the bore diameter of the thermowell. Gaps of more than 0.5 mm between thermowell and the measuring insert will have a negative effect on the heat transfer, and they will result in unfavourable response behaviour from the thermometer.

In order to ensure that the measuring insert is firmly pressed down onto the bottom of the thermowell, the insert must be spring-loaded (spring travel: max 10 mm).

The standard material used for the measuring insert sheath is stainless steel. Other materials are available on request.

### Standard measuring insert lengths

Measuring insert Ø in mm	Standard measuring insert lengths in mm											
3	275	315		375		435						
6	275	315	345	375	405	435	525	555	585	655	735	
8	275	315	345	375	405	435	525	555	585	655	735	

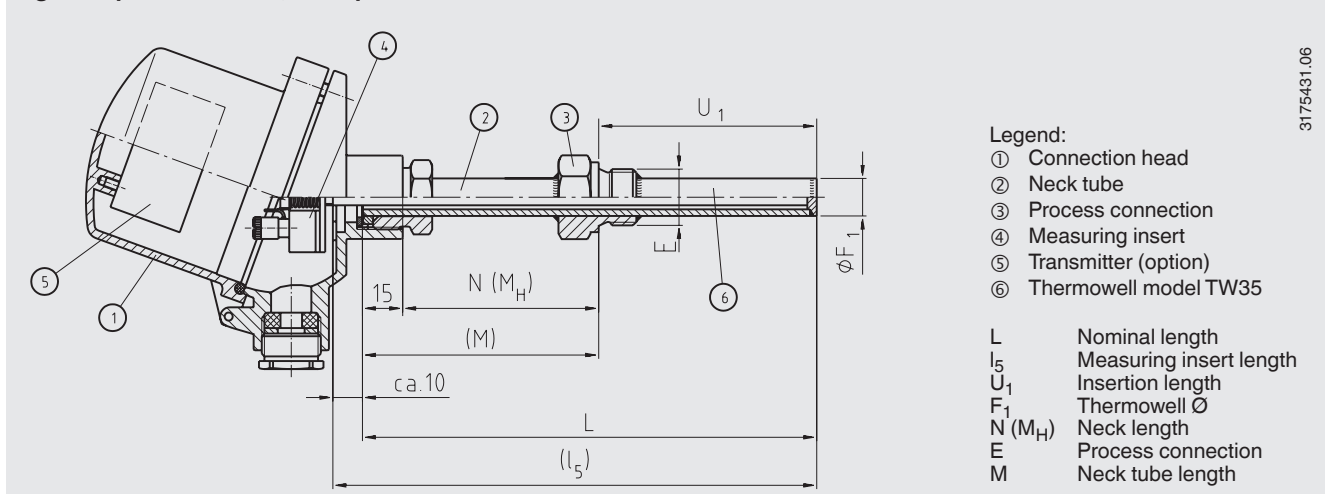
The lengths specified in this table correspond to the standard lengths. Intermediate lengths or greater lengths are possible without any difficulty.

### Possible combinations of measuring insert diameter, number of sensors and sensor connection method

Measuring insert Ø in mm	Sensor / connection method 1 x Pt100			Sensor / connection method 2 x Pt100		
	2-wire	3-wire	4-wire	2-wire	3-wire	4-wire
3	x	x	x	x	x	-
6	x	x	x	x	x	x
8	x	x	x	x	x	x

## TR10-C components

Fig. with parallel thread, for tapered thread see "Dimensions in mm"



## Thermowell model TW35

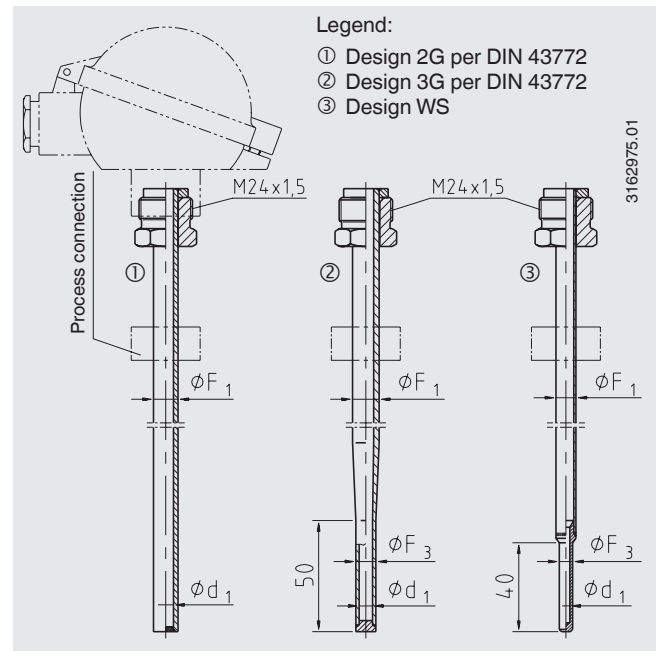
The thermowell is made of drawn tube with a welded bottom and is screwed into the connection head. The cable entry can be aligned by rotating the connection head.

The process connection, in accordance with the customer specification, is welded onto the thermowell in the factory, which also fixes the insertion length. Insertion lengths to DIN standards are preferable.

Designs to DIN standards and also special designs (e.g., with tapered thermowell, reinforced neck tube, etc.) are available in 1.4571 stainless steel or special materials on request.

For further technical specifications on the thermowell please see WIKA data sheet TW 95.35.

## Assembly of thermowell model TW35



### Versions per DIN 43772

Design	Insertion length	Process connection	Thermowell outer Ø F <sub>1</sub>	Thermowell outer Ø at tip F <sub>3</sub>	Thermowell inner Ø at tip d <sub>1</sub>	Neck length N
Design 2G	160	G ½ B, G 1 B	9, 11, 12, 14	-	-	130
Design 2G	250	G ½ B, G 1 B	9, 11, 12, 14	-	-	130
Design 2G	400	G ½ B, G 1 B	9, 11, 12, 14	-	-	130
Design 3G	160	G ½ B, G 1 B	12	9 + 0.2	6 + 0.1 / - 0.05	132
Design 3G	220	G ½ B, G 1 B	12	9 + 0.2	6 + 0.1 / - 0.05	132
Design 3G	280	G ½ B, G 1 B	12	9 + 0.2	6 + 0.1 / - 0.05	132
Design 3G	160	G ½ B, G 1 B	14	11 + 0.2	8 + 0.1 / - 0.05	132
Design 3G	220	G ½ B, G 1 B	14	11 + 0.2	8 + 0.1 / - 0.05	132
Design 3G	280	G ½ B, G 1 B	14	11 + 0.2	8 + 0.1 / - 0.05	132

Above designs are also available with ½ NPT process connections. In this case, however, these will not conform to DIN 43772.

### Versions not to standards

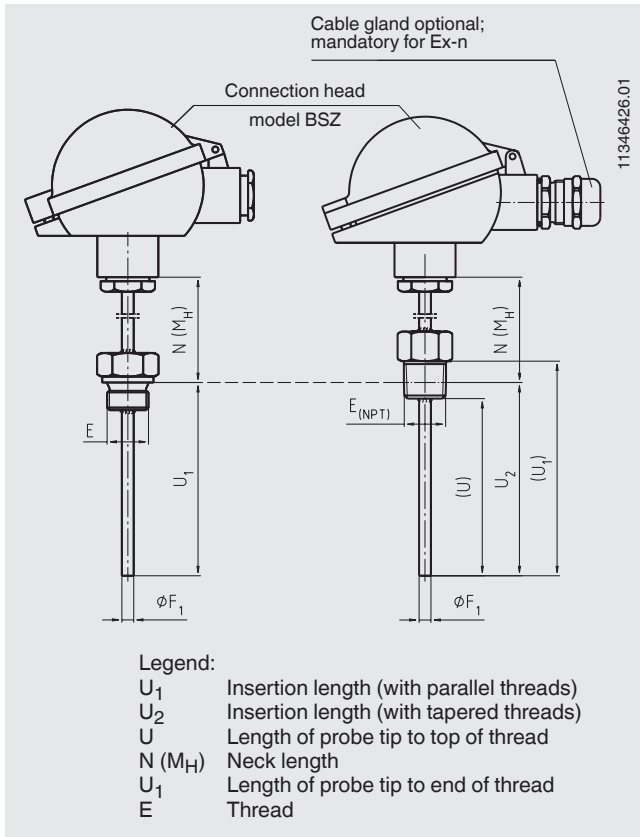
Design	Insertion length	Process connection	Thermowell outer Ø F <sub>1</sub>	Thermowell outer Ø at tip F <sub>3</sub>	Thermowell inner Ø at tip d <sub>1</sub>	Neck length N
Design WS	160	G ½ B, G 1 B, ½ NPT	9, 11, 12	6	3.5	130
Design WS	220	G ½ B, G 1 B, ½ NPT	9, 11, 12	6	3.5	130
Design WS	250	G ½ B, G 1 B, ½ NPT	9, 11, 12	6	3.5	130
Design WS	280	G ½ B, G 1 B, ½ NPT	9, 11, 12	6	3.5	130
Design WS	400	G ½ B, G 1 B, ½ NPT	9, 11, 12	6	3.5	130

## Process connection

Screw type:

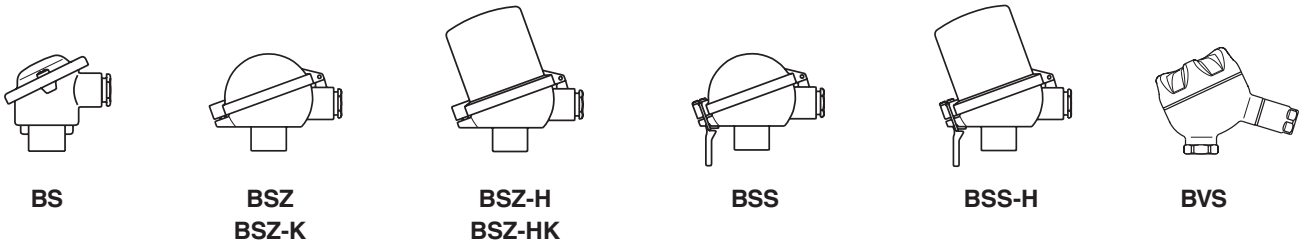
- Male thread, welded with thermowell
- Compression fitting, primarily with 12 mm diameter thermowells  
(Compression fittings allow simple adjustment to the required insertion length at the installation point. After tightening, the compression fitting can no longer be moved along the thermowell.)

## Dimensions in mm



Thermowell diameter	9 mm	11 mm	12 mm	14 mm
<b>Male thread</b>				
G 1/2 B	G 1/2 B	G 1/2 B	G 1/2 B	G 1/2 B
-	G 1 B	G 1 B	G 1 B	G 1 B
1/2 NPT	1/2 NPT	1/2 NPT	1/2 NPT	1/2 NPT
M20 x 1.5	M20 x 1.5	M20 x 1.5	M20 x 1.5	M20 x 1.5
<b>Compression fitting</b>				
-	-	G 1/2 B	-	-
-	-	1/2 NPT	-	-

## Connection head



Model	Material	Cable entry	Ingress protection	Cap	Surface finish
<b>BS</b>	Aluminium	M20 x 1.5 <sup>1)</sup>	IP 65	Cap with 2 screws	blue, painted <sup>2)</sup>
<b>BSZ</b>	Aluminium	M20 x 1.5 <sup>1)</sup>	IP 65	Hinged cover with cylinder head screw	blue, painted <sup>2)</sup>
<b>BSZ-K</b>	Plastic	M20 x 1.5 <sup>1)</sup>	IP 65	Hinged cover with cylinder head screw	black
<b>BSZ-H</b>	Aluminium	M20 x 1.5 <sup>1)</sup>	IP 65	Hinged cover with cylinder head screw	blue, painted <sup>2)</sup>
<b>BSZ-HK</b>	Plastic	M20 x 1.5 <sup>1)</sup>	IP 65	Hinged cover with cylinder head screw	black
<b>BSS</b>	Aluminium	M20 x 1.5 <sup>1)</sup>	IP 65	Hinged cover with clip	blue, painted <sup>2)</sup>
<b>BSS-H</b>	Aluminium	M20 x 1.5 <sup>1)</sup>	IP 65	Hinged cover with clip	blue, painted <sup>2)</sup>
<b>BVS</b>	Stainless steel	M20 x 1.5 <sup>1)</sup>	IP 65	Screw cover	Precision casting, electropolished

1) Standard

2) RAL5022, polyester paint saltwater-resistant

## Connection head with digital indicator (option)

As an alternative to the standard connection head the thermometer can be fitted with an optional DIH10 digital indicator. The connection head used for this is similar to the model BSZ-H head. For operation, a 4 ... 20 mA transmitter is needed, which is mounted to the measuring insert. The scale range of the indicator is configured identically to the measuring range of the transmitter.

Designs with ignition protection type "intrinsically safe", Ex-i, are also available.



Fig. connection head with digital indicator, model DIH10

## Transmitter (option)

Depending on the connection head used, a transmitter can be mounted within the thermometer.

- Mounted instead of terminal block
- Mounted within the cap of the connection head
- Mounting not possible

Mounting of two transmitters on request.

Connection head	Transmitter model				
	T12	T19	T24	T32	T53
BS	-	○	○	-	○
BSZ / BSZ-K	○	○	○	○	○
BSZ-H / BSZ-HK	●	●	●	●	●
BSS	○	○	○	○	○
BSS-H	●	●	●	●	●
BVS	○	○	○	○	○

Model	Description	Explosion protection	Data sheet
T19	Analogue transmitter, configurable	without	TE 19.03
T24	Analogue transmitter, PC configurable	optional	TE 24.01
T12	Digital transmitter, PC configurable	optional	TE 12.03
T32	Digital transmitter, HART® protocol	optional	TE 32.04
T53	Digital transmitter FOUNDATION™ Fieldbus and PROFIBUS® PA	standard	TE 53.01

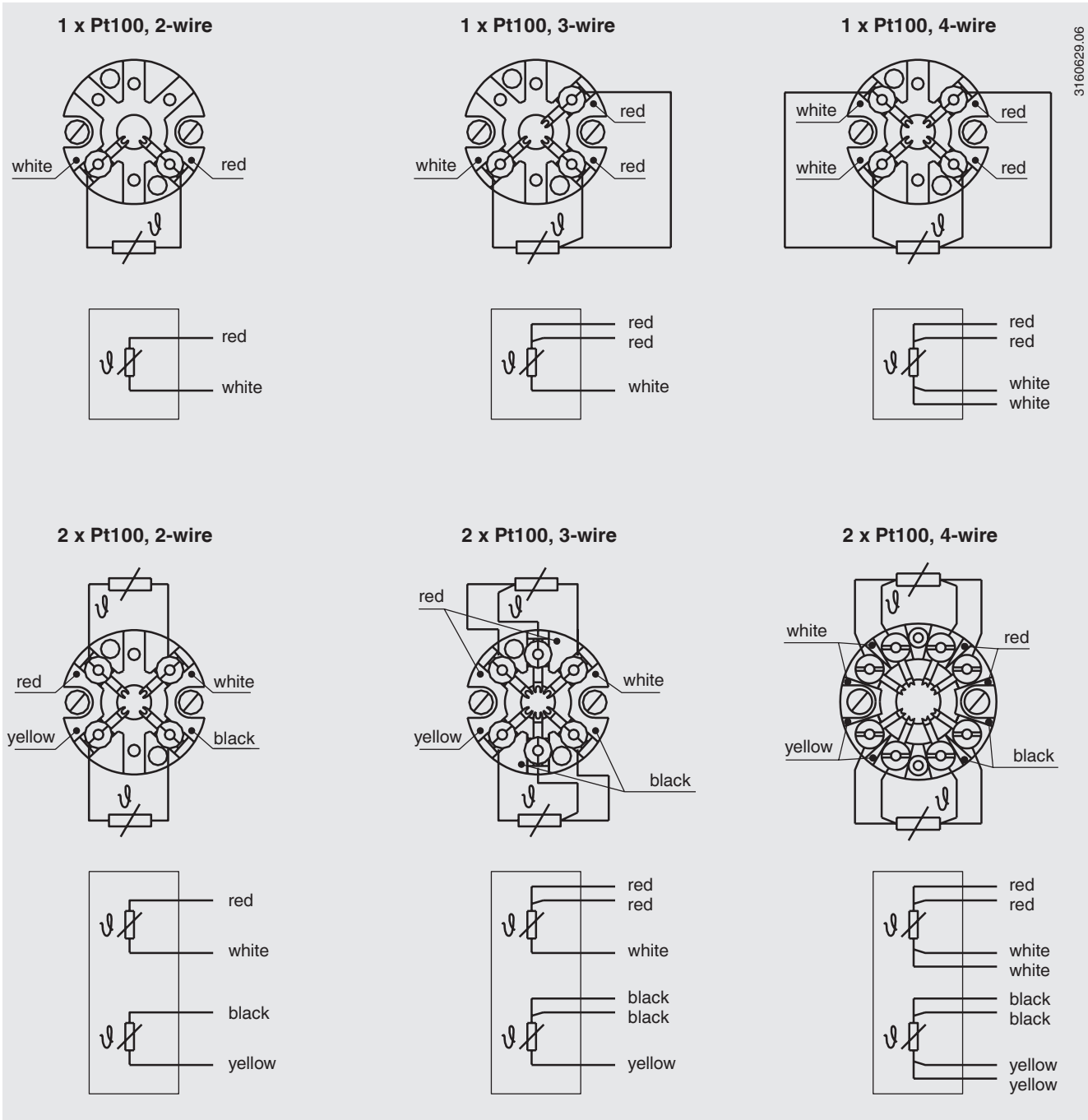
## Explosion protection (option)

Resistance thermometers of the TR10-C series, with model TW35 thermowells, are available with a EC type-examination certificate for "intrinsically safe", Ex-i, ignition protection. These instruments comply with the requirements of 94/9/EC (ATEX) directive for gas and dust. Manufacturer's declarations in accordance with NAMUR NE24 are also available.

The classification/suitability of the instrument (permissible power,  $P_{max.}$ , as well as the permissible ambient temperature) for the respective category can be seen on the EC type-examination certificate and in the operating instructions.

Built-in transmitters have their own EC type-examination certificate. The permissible ambient temperature ranges of the built-in transmitters can be taken from the corresponding transmitter approval.

# Electrical connection



For the electrical connections of built-in temperature transmitters see the corresponding transmitter data sheets or operating instructions.

© 2003 WIKA Alexander Wiegand SE & Co. KG, all rights reserved.  
 The specifications given in this document represent the state of engineering at the time of publishing.  
 We reserve the right to make modifications to the specifications and materials.



**WIKAI Alexander Wiegand SE & Co. KG**  
 Alexander-Wiegand-Straße 30  
 63911 Klingenberg/Germany  
 Tel. (+49) 9372/132-0  
 Fax (+49) 9372/132-406  
 E-mail info@wika.de  
 www.wika.de