

# Field indicator for current loops with HART® communication

## Models DIH50, DIH52

WIKA data sheet AC 80.10



for further approvals  
see page 6



### Applications

- Process engineering
- Plant construction
- General industrial applications
- Oil and gas industry

### Special features

- Automatic measuring range configuration via HART® communication between HART® master and transmitter
- Indication range -9999 ... 99999 / bar graph
- Display for unit and diverse status messages
- Ex versions
  - Model DIH5x-I: intrinsically safe
  - Model DIH5x-F: flameproof enclosure
- HART®: Secondary master function and multidrop capability (model DIH52)



Field indicator, models DIH50, DIH52

### Description

The DIH series field indicators are 4 ... 20 mA current loop indicators which can, in addition, offer a superimposed HART® communication between the connected transmitter and the control room. Thus the indication range and units are automatically adopted dependent on the settings of the connected HART® transmitter.

Common units for temperature and pressure are already saved ex works. An additional "User unit" can be programmed optionally.




With this field indicator it is possible to display range alarms as well as MIN and MAX values. Error-current signals from the connected transmitters are also detected and displayed. The indicator can be used in conjunction with any 4 ... 20 mA transmitter.

The field indicators are powered directly from the 4 ... 20 mA current loop, with a resultant voltage drop of less than 3 V.

The field indicators can be mounted directly onto a wall. An optional pipe mounting kit is available for fitting to pipes with a diameter of 1 ... 2".

The models DIH5x-B, DIH5x-Z basic modules are also available separately for mounting into other suitable cases.

The field indicators consist of an aluminium or stainless steel field case with a built-in display module.

Specifications	Model DIH50	Model DIH52
Display		
■ Principle	LCD, rotatable in 10° steps	
■ Measured value	7-segment LCD, 5-digit, character size 9 mm	
■ Bar graph	20-segment LCD	
■ Info line	14-segment LCD, 6-digit, character size 5.5 mm	
■ Status indicators	 : HART® mode (signalling of HART® parameter adoption)  : Unit lock  : Warnings or error messages	
■ Indication range	-9999 ... 99999	
Measuring rate	4/s	
Accuracy	±0.1 % of the measuring span	±0.05 % of the measuring span
Temperature coefficient	±0.1 % of the measuring span / 10 K	
Input signal	4 ... 20 mA	
Output signal	analogue current signal is looped in directly	
Permissible current carrying capacity	100 mA	
Voltage drop	< DC 3 V (< DC 2 V at 20 mA); supply via current loop	
HART® functionality		
■ Access control	-	Secondary master
■ Automatically set parameters	Unit, measuring range	
■ Available commands	-	Unit, measuring range start/end, format, zero point, span, damping, polling address
■ Identified commands	Generic mode: 1, 15, 35, 44	Generic mode: 0, 1, 6, 15, 34, 35, 36, 37, 44
■ Multidrop	not supported	Measured values are automatically taken from the HART® digital data and displayed
Electrical connection		
■ Signal input	Model DIHxx-B, DIHxx-Z: flying leads 0.5 mm <sup>2</sup> (basic module) Model DIHxx-I, DIHxx-F, DIHxx-S: internal spring-clip terminals, connection cross-section max. 2.5 mm <sup>2</sup> (field indicator)	
■ Signal output	positively retained screw terminals, connection cross-section max. 2.5 mm <sup>2</sup>	
Operating conditions		
■ Ambient temperature	-40 ... +85 °C	
■ Functional area of the display	-20 ... +70 °C	
■ Storage temperature	-40 ... +85 °C	
■ Humidity	35 ... 85 % r. h. (without condensation)	
■ Vibration resistance	3 g, per DIN EN 60068-2-6	
■ Shock resistance	30 g, per DIN EN 60068-2-27	
CE conformity		
■ EMC directive	2004/108/EC, EN 61326 emission (group 1, class B) and interference immunity (industrial application)	

Field case	
Material	Aluminium, stainless steel; Window from polycarbonate
Colour	Aluminium: night blue, RAL 5022 Stainless steel: silver
Cable bushings	3 x M20 x 1.5 or 3 x ½ NPT
Ingress protection	IP 66
Weight	Aluminium: approx. 1.5 kg Stainless steel: approx. 3.7 kg
Dimensions	see drawing

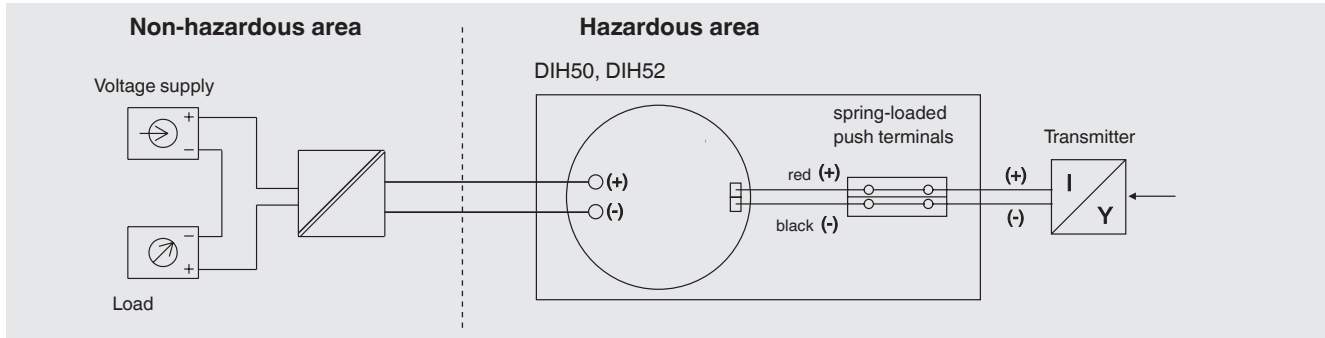
Basic module, HART® loop module	Models DIH5x-B, DIH5x-Z
Material	Polycarbonate
Ingress protection	IP 20
Weight	approx. 80 g
Dimensions	see drawing

## Model overview of approvals - Explosion protection / power supply

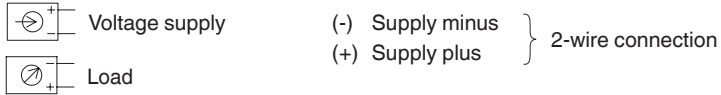
Model	Approvals	Ambient/storage temperature (in accordance with the relevant temperature classes)	Safety-related maximum values for current loop ( $\pm$ connections)	Power supply $U_B$ (DC)
DIH50-S, DIH52-S (field indicator)	without	-20 ... +85 °C	-	14.5 ... 42 V
DIH50-Z, DIH52-Z (HART® loop module)	without	-20 ... +85 °C	-	14.5 ... 42 V
DIH50-B (HART® loop module)	II 1G Ex ia IIC T4/T5/T6 Ga II (1) 2G Ex ia IIC T4/T5/T6 (Ga) Gb BVS 10 ATEX E 016 X IECEx BVS 10.0037X II 1D Ex ia IIIC T120 °C Da II (1) 2D Ex ia IIIC T120 °C (Da) Db BVS 10 ATEX E 016 X IECEx BVS 10.0037X	-40 ... +85 °C at T4 -40 ... +75 °C at T5 -40 ... +55 °C at T6 -40 ... +40 °C ( $P_i = 660$ mW) -40 ... +70 °C ( $P_i = 630$ mW)	$U_j < 29$ V $I_j < 100$ mA $P_i < 660$ mW $C_j = 12$ nF $L_j = 2.2$ $\mu$ H	14.5 ... 29 V
DIH50-B (HART® loop module)	CSA (1946893, LR 66027) Class I, Division 1 + 2, Groups A, B, C, D FM (3031500) Class I, Division 1, Groups A, B, C, D (IS/1/1/ABCD/T* + IS/1/0AEx ia/IIC/T*) Class 1, Division 2, Groups A, B, C, D NI/1/2/ABCD/T* + NI/1/2/IIC/T*	-40 ... +85 °C at T4 -40 ... +75 °C at T5 -40 ... +55 °C at T6	$U_j = 29$ V ( $V_{max} < 29$ V) $I_j = 100$ mA ( $I_{max} < 100$ mA) $P_i = 660$ mW ( $P_{max} < 660$ mW) $C_j = 12$ nF $L_j = 2.2$ $\mu$ H	
DIH52-B (HART® loop module)	II 1G Ex ia IIC T4/T5/T6 Ga II (1) 2G Ex ia IIC T4/T5/T6 (Ga) Gb BVS 10 ATEX E 016 X IECEx BVS 10.0037X II 1D Ex ia IIIC T120 °C Da II (1) 2D Ex ia IIIC T120 °C (Da) Db BVS 10 ATEX E 016 X IECEx BVS 10.0037X	-40 ... +85 °C at T4 -40 ... +75 °C at T5 -40 ... +55 °C at T6 -40 ... +40 °C ( $P_i = 680$ mW) -40 ... +70 °C ( $P_i = 650$ mW)	$U_j < 29$ V (27.5 V/26 V) $I_j < 100$ mA (115 mA/131 mA) $P_i < 680$ mW $C_j = 12$ nF $L_j = 2.2$ $\mu$ H	
DIH50-F, DIH52-F (field indicator)	Flameproof enclosure BVS 10 ATEX E 158 IECEx BVS 10.0103 II 2G Ex d IIC T6/T5/T4 Gb II 2G Ex db IIC T6/T5/T4 Ex d IIC T6/T5/T4 Gb Ex db IIC T6/T5/T4	-40 ... +85 °C at T4 -40 ... +75 °C at T5 -40 ... +60 °C at T6	$U_M = 30$ V $P_M = 2$ W	14.5 ... 30 V
DIH50-I, DIH52-I (field indicator)	Intrinsically safe equipment <sup>1)</sup> BVS 10 ATEX E 016 X IECEx BVS 10.0037X Ex ia [ia Ga] II (1) 2G IIC T4/T5/T6 Gb II (1) 2D Ex ia [ia Da] IIIC T120 °C Db II 2G Ex ia IIC T4/T5/T6 Gb II 2D Ex ia IIIC T120 °C Db	-40 ... +85 °C at T4 -40 ... +75 °C at T5 -40 ... +60 °C at T6 -40 ... +40 °C ( $P_i = 680$ mW) -40 ... +70 °C ( $P_i = 650$ mW)	$U_j \leq 29$ V $I_j \leq 100$ mA $P_i \leq 680$ mW $C_j = 12$ nF $L_j = 2.2$ $\mu$ H	14.5 ... 29 V

1) The installation conditions for the displays must be considered for the final application.

## Electrical connection

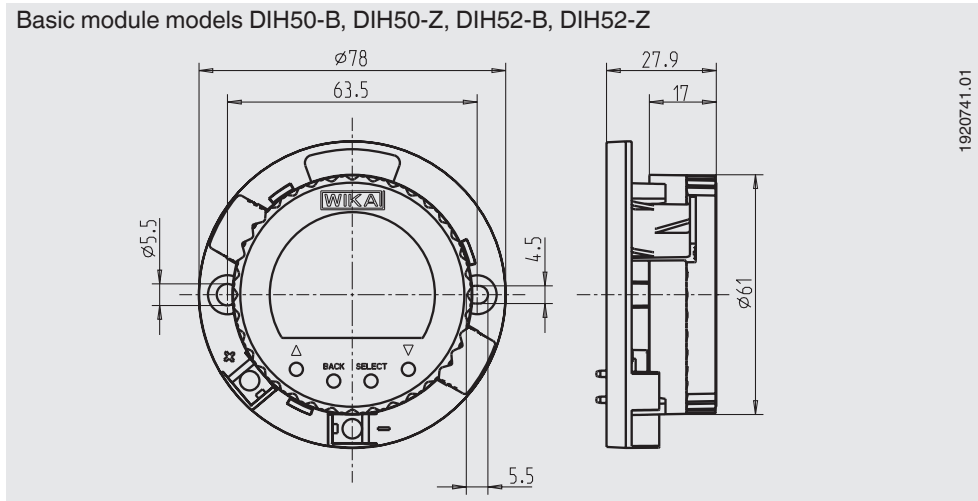


### Legend:



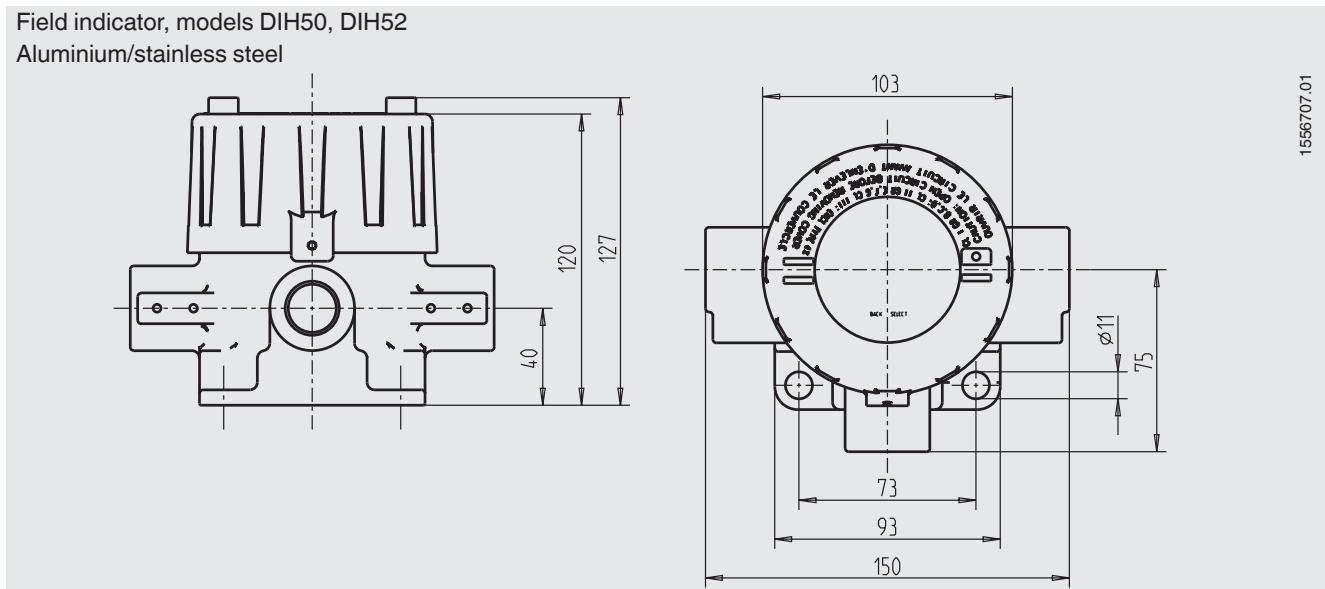
## Dimensions in mm

Basic module models DIH50-B, DIH50-Z, DIH52-B, DIH52-Z

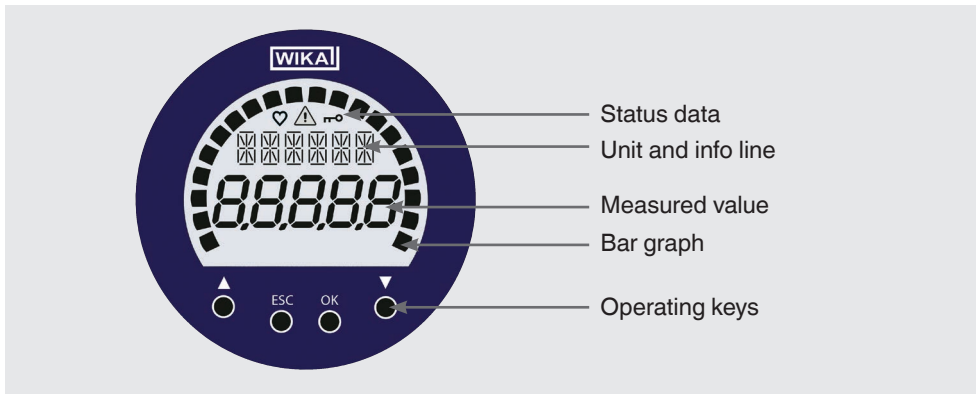


Field indicator, models DIH50, DIH52

Aluminium/stainless steel



## User interface



## Accessories

Model	Special features	Order no.
Model 010031	HART® modem for USB interface, specifically designed for use with modern notebooks	11025166
Model 010001	HART® modem for RS-232 interface	7957522
Model 010041	HART® modem for Bluetooth interface [Ex ia] IIC	11364254
FC475HP1EKLUGMT	HART® protocol, Li-Ion battery, voltage supply AC 90 ... 240 V, without EASY UPGRADE; ATEX, FM and CSA (intrinsically safe)	on request
FC475FP1EKLUGMT	HART® protocol, FOUNDATION™ Fieldbus, Li-Ion battery, voltage supply AC 90 ... 240 V, with EASY UPGRADE; ATEX, FM and CSA (intrinsically safe)	on request
MFC5150	HART® protocol, universal voltage supply, cable set with 250 Ω resistor, with explosion protection	on request
Magnetic quick connector magWIK	<ul style="list-style-type: none"> <li>■ Replacement for crocodile clips and HART® terminals</li> <li>■ Fast, safe and tight electrical connection</li> <li>■ For all configuration and calibration processes</li> </ul>	14026893

## CE conformity

### EMC directive

2004/108/EC, EN 61326 emission (group 1, class B) and interference immunity (industrial application)

### ATEX directive

94/9/EC

## Approvals

- **IECEX**, international certification for the Ex area
- **FM**, ignition protection type "i" - intrinsic safety, USA
- **CSA**, ignition protection type "i" - intrinsic safety, Canada
- **EAC**, import certificate, Russia
- **GOST**, metrology/measurement technology, Russia

## Certificates (option)

- 2.2 test report
- 3.1 inspection certificate
- DKD/DAkkS calibration certificate

Approvals and certificates, see website

## Ordering information

Model / Indicator module / Explosion protection / Case material / Cable bushings / Threaded connection for cable bushing / Certificates / Options

© 2011 WIKA Alexander Wiegand SE & Co. KG, all rights reserved.  
The specifications given in this document represent the state of engineering at the time of publishing.  
We reserve the right to make modifications to the specifications and materials.



**WIKAI Alexander Wiegand SE & Co. KG**  
Alexander-Wiegand-Straße 30  
63911 Klingenberg/Germany  
Tel. +49 9372 132-0  
Fax +49 9372 132-406  
info@wika.de  
www.wika.de