

Test pump, pneumatic Model CPP30

WIKA Data Sheet CT 91.06

Applications

- Simple pressure generation for laboratories, workshops or on site
- For testing, adjusting and calibrating all types of pressure measuring instruments
- Pneumatic pressure generation from -950 mbar up to +35 bar

Special Features

- Ergonomic handling
- Precise setting of pressure via a fine adjustment valve
- Compact size
- Low weight



Test pump CPP30

Description

Areas of application

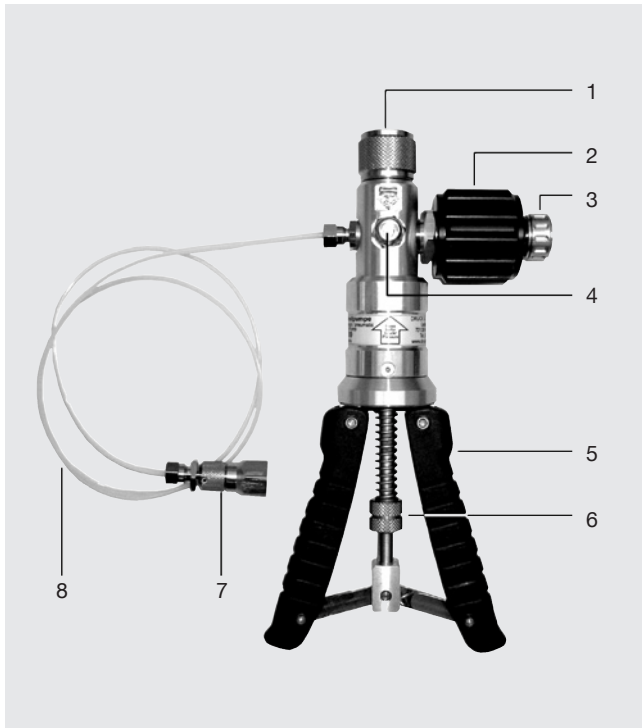
Test pumps are used in generating pressure for the testing, adjusting and calibrating of mechanical and electronic pressure measuring instruments by means of comparative measurements. These pressure tests can be carried out in laboratories, workshops or on site at the set measuring point.

Ease of operation

When the device under test and a suitably accurate reference measuring instrument are connected to the test pump, after actuating the pump, the same pressure will act on both measuring instruments. Calibration or adjustment of the device under test can be carried out by comparing the two measured values at any pressure value. In order to enable the accurate generation of the measuring points, the test pump is fitted with a fine adjustment valve.

Easy handling

Despite its very compact size the CPP30 hand test pump enables simple and accurate test pressure generation up to a max. 35 bar. Vacuum generation down to max. -950 mbar is also possible through the change-over switch. The maximum pressure or vacuum achievable depends on the attached test volume. The pump also has a fine adjustment valve to enable the precise setting of the pressure. The reference instrument is fitted directly to the top of the pump, and the device under test is connected via a connection tube (length 0.5 m) with G 1/4" female thread, included in the test kit.



- 1) Pressure connector for reference instrument G ½" female, freely rotating
- (2) Fine adjustment valve
- (3) Pressure relief valve
- (4) Change-over pressure/vacuum generation
- (5) Handles
- (6) Adjustable knurled nut for the adjustment of the delivery rate of the pump (overpressure protection)
- (7) Pressure connection for test specimen, G ¼" female, freely rotating
- (8) Flexible tube for test item connection (length 0.5 m)

Specification		CPP30
Pressure range	bar	-0.95 ... +35.0
Medium		Air
Pressure connections		G ½" female, freely rotating for reference instrument, tube with G ¼" female, freely rotating for device under test
Pressure fine adjustment		Fine adjustment valve
Overpressure protection		Adjustable by means of knurled nut
Material		Brass, chromium-plated anodised aluminium, heavy-duty plastic
Dimensions	mm	220 (L) x 105 (W) x 63 (D)
Mass	kg	0.51
Standard accessories		Test item connection tube, length 0.5 m
Order number		12139671

Accessories	CPP30
Plastic case with foams for test pump	Order no.: 12139573
Dimensions in mm: (W/H/D) 395 x 295 x 106	
Set of adapters and set of seals for test item connection G ¼" male to G ⅛", G ⅜" and G ½" female	Order no.: 12139689
Set of adapters and set of seals for test item connection G ¼" male to	Order no.: 12140422
M12 x 1.5, M20 x 1.5 and Minimess®	
Set of adapters and set of seals for test item connection G ¼" male to ⅙" NPT, ¼" NPT, ⅜" NPT and ½" NPT female	Order no.: 12139701
Connection adapter G ¼" male to G ½" female, Material: stainless steel (CrNi)	Order no.: 0168483
Service kit for hand test pump CPP 30 with various O-rings and seals	Order no.: 12139786

Recommended reference pressure instruments:

■ Hand-Held pressure instrument model CPH6200

Range: 0 ... 0.1 bar up to 0 ... 1000 bar and vacuum

Accuracy: 0.2 % of span

Technical data see data sheet CT 11.01

■ ProcessCalibrator model CPH6000

Range: 0 ... 0.25 bar up to 0 ... 1000 bar and vacuum

Accuracy: 0.025 % of span

Technical data see data sheet CT 15.01

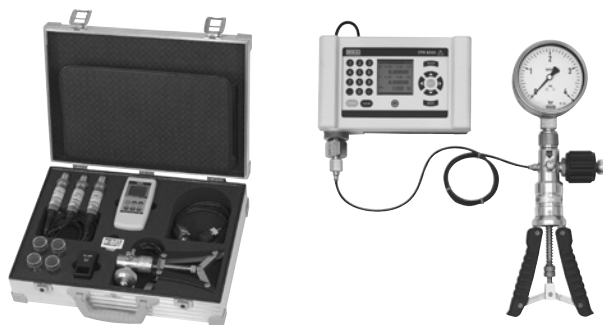


Fig. top: Hand-Held pressure instrument Model CPH6200

Fig. bottom: ProcessCalibrator Model CPH6000

Complete test and service sets with pressure generation

Test and calibration service set with CPH6200 Hand-Held pressure instrument or CPH6000 ProcessCalibrator and CPP30 test pump consisting of:



- Transport case with digital instrument CPH6200 or CPH6000
- Pneumatic hand pump CPP30 (-0.95 ... +35 bar)
- Various seals
- Sensor cable
- Charger
- Space for different CPT reference pressure sensors

More technical data: see data sheet CT 11.01 or CT 15.01

Test and calibration service sets are also available with hydraulic hand spindle pumps up to 1000 bar.

Calibration Software EasyCal

WIKA calibration software has been developed for the calibration of mechanical and electronic pressure gauges according to DIN ISO 9000ff (periodical calibration tests).

- Calibration assistant that guides you through the calibration
- User-friendly menu
- Automatic generation of calibration steps according to DIN EN 837-1
- 3.1 Certificates in accordance with DIN EN 10 204
- Customised test protocols possible (Access Report-Designer)
- Archiving of calibration data as well as instrument administration via Access database
- Language: English / German

DEMO-Version available (free of charge)

Technical data see data sheet CT 95.01



Products and Services within our Testing and Calibration Technology Program

- DKD calibration services for pressure
- Repair of calibration units of all makes
- Portable pressure measuring devices for test and calibration tasks
- Precision pressure measuring units and pressure controllers
- Primary standards for pressure
- Testing technology system solutions
- DKD calibration services for temperature
- Temperature dry well calibrators
- Calibration baths and furnaces
- Temperature measuring instruments for testing and calibrating tasks
- Precision thermometers
- Primary standards for temperature
- Consulting and training

Specifications and dimensions given in this leaflet represent the state of engineering at the time of printing. Modifications may take place and materials specified may be replaced by others without prior notice.



WIKAL Alexander Wiegand GmbH & Co. KG
Alexander-Wiegand-Straße 30
63911 Klingenberg / Germany
Phone (+49) 93 72/132-9986
Fax (+49) 93 72/132-217
E-Mail testequip@wika.de
www.wika.de