

# Sterile Process Connection, Diaphragm Seals For Sterile Process Technology VARIVENT® Connection, Model 990.24

WIKA Data Sheet DS 99.49



## Applications

- For mounting in VARINLINE® Access Unit
- Food and beverage industry
- For dairies, dairy-products, breweries
- Pharmaceutical industry

## Special Features

- Easy to open for cleaning
- Quick measuring point cleaning without residues
- Suitable for SIP and CIP
- 3A and EHEDG certified
- Flush welded diaphragm



Diaphragm Seal, Model 990.24 with Pressure Gauge  
Model 232.50 NS 100

## Description

### Process connection

Clamp connection VARIVENT® for VARINLINE® Access Unit, stainless steel 1.4435 (316L)

- Form F  
(mounting Ø 50 mm / clamp Ø 66 mm) for VARINLINE® Access Unit DN 25 and 1" or
- Form N  
(mounting Ø 68 mm / clamp Ø 84 mm) for VARINLINE® Access Unit DN 40 - DN 125 and 1½" - 4"

### Pressure rating

PN 25 bar maximum

Observe the permissible pressure for the VARINLINE® Access Unit

### Pressure ranges

0 ... 1 to 0 ... 25 bar

### Material of wetted parts

Stainless steel 1.4435 (316L)

### Instrument connection

Instrument directly welded

### System fill fluid

KN 7 Glycerine, food compatible, FDA approved, according to standard US Pharmacopoeia XXIV and European Pharmacopoeia (1998)

VARIVENT® and VARINLINE® are registered trademarks of GEA Tuchenhausen GmbH.

## Optional extras

### Material of wetted parts

- Stainless steel 1.4435 (316L) electropolished

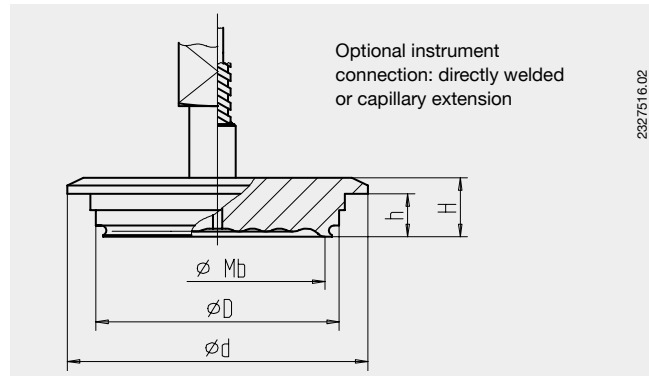
### Pressure instrument assembly

- Assembly via cooling tower
- Assembly via capillary, when ordering please specify: length of capillary

### System fill fluid

- KN 59 Neobee® M-20, FDA approved

## Dimensions in mm



Access Unit connection	Dimensions in mm					Weight in kg
	D	Mb	d	H	h	
Form F	50	40	66	17	12.3	0.29
Form N	68	60	84	17	12.3	0.51

## Ordering information

Field No.	Code	Features
		<b>Mounting diameter</b>
1	<input type="checkbox"/> K	50 mm (form F) <i>clamp diameter 66 mm; former designation: DN 25 / 32</i>
	<input type="checkbox"/> S	68 mm (form N) <i>clamp diameter 84 mm; former designation: DN 40 / 50</i>
		<b>Material of wetted parts</b>
2	<input type="checkbox"/> A2	stainless steel 1.4435 (316L) <i>standard</i>
	<input type="checkbox"/> B2	stainless steel 1.4435 (316L) electropolished
		<b>Assembly</b>
	<input type="checkbox"/> D1	direct assembly <i>standard</i>
	<input type="checkbox"/> G1	via cooling tower
	<input type="checkbox"/> K1	via 1 m capillary
	<input type="checkbox"/> K2	via 1.6 m capillary
	<input type="checkbox"/> K3	via 2.5 m capillary
3	<input type="checkbox"/> ??	other <i>Please state as additional text</i>
		<b>System fill fluid</b>
4	<input type="checkbox"/> F1	KN 7 glycerine <i>FDA approved standard</i>
	<input type="checkbox"/> K5	KN 59 Neobee® M-20 <i>FDA approved</i>
		<b>Additional features and accessories</b>
	<input type="checkbox"/> ZZ	without <i>standard</i>
5	<input type="checkbox"/> KA	PE protective sleeving for capillary extension
	<input type="checkbox"/> KB	mounting brackets, 100 mm, aluminium black <i>only with mounting via capillary extension</i>
		<b>Additional features and accessories</b>
6	<input type="checkbox"/> YES	<input type="checkbox"/> NO
	<input type="checkbox"/> T	<input type="checkbox"/> Z
		additional text <i>Please state in clearly understandable text!</i>

### Order code:

1	2	3	4	5	6
M990.24	-	□	□	□	□
					-
					□

### Additional text:

\_\_\_\_\_

The following is required when ordering complete measuring systems:  
 order code for pressure gauge, diaphragm seal and process conditions according to diaphragm seal questionnaire.

Modifications may take place and materials specified may be replaced by others without prior notice.  
 Specifications and dimensions given in this leaflet represent the state of engineering at the time of printing.



**WIKAL Alexander Wiegand GmbH & Co. KG**  
 Alexander-Wiegand-Straße 30  
 63911 Klingenberg/Germany  
 Phone (+49) 93 72/132-0  
 Fax (+49) 93 72/132-406  
 E-Mail info@wika.de  
 www.wika.de