

High Pressure Diaphragm Seals

Homogeniser Flange • Model 990.30

Diaphragm Seals

Service intended

Diaphragm seal to combine with high pressure bourdon tube pressure gauges or pressure transmitters. Suitable for corrosive, contaminated, hot or viscous pressure media in foodstuff industries, for example homogeniser machines.

Design

Body with flush diaphragm with no dead spaces

Process connection

Homogeniser flange

Pressure rating

PN 600

Suitable pressure ranges

0 ... 100 to 0 ... 600 bar

Standard features**Body**

Stainless steel 1.4542

Process connection

Homogeniser flange 95 x 43 x 28 mm
(see table overleaf)

Diaphragm

Stainless steel 1.4571, welded with body

Instrument connection

Stainless steel G $\frac{3}{8}$ female

**Optional extras****Body**

- Special materials (solid metal only)

Process connection

- Special materials
- Without homogeniser flange

Diaphragm

- Special materials

Instrument connection

- Capillary extension welded with body and gauge adaptor G $\frac{1}{2}$ female to fit surface mounting bracket completely made of stainless steel
- Cooling tower for directly mounted gauge when fluid temperature > +100 °C

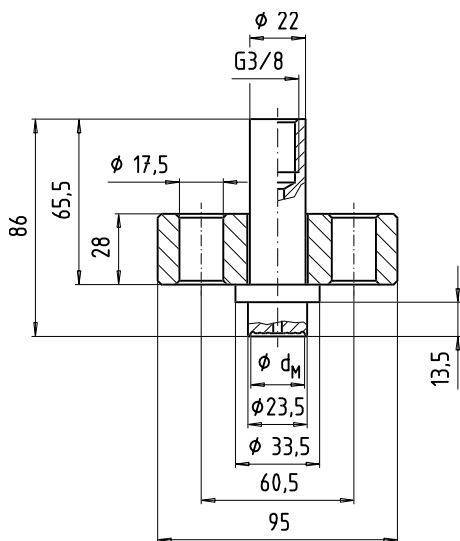
Pressure ranges

- Higher pressure ranges

Dimensions

Standard version

Model 990.30
with homogeniser flange



PN [bar]	Dimensions [mm]
	d_M
600	22

1037 129.01

Ordering information

Specify:
Model / Size of connection / Filling liquid / Pressure instrument desired / Process conditions as per questionnaire / Optional extras required

Specifications and dimensions given in this leaflet represent the state of engineering at the time of printing.
Modifications may take place and materials specified may be replaced by others without prior notice.



WIKA Alexander Wiegand GmbH & Co. KG
Alexander-Wiegand-Straße · 63911 Klingenberg
Tel.: (0 93 72) 132-0 · Fax: (0 93 72) 132-406
<http://www.wika.de> · E-mail: info@wika.de