

Sterile Connection, Diaphragm Seals For Sterile Process Technology NEUMO BioControl®, Model 990.60

WIKA Data Sheet DS 99.55



Applications

- Biochemical and pharmaceutical industry
- Sterile process technology
- Food industry

Special Features

- No dead space
- Hygienic design
- Materials and surface finish quality according to the guidelines and standards of the pharmaceutical industry
- 3-A certified and FDA approved

Description

Process connection

NEUMO BioControl® connection for installation in BioControl® system model 910.60, see data sheet AC 09.14

- Size 25 (installation diameter 30.5 mm)
- Size 50 (installation diameter 50.0 mm)
- Size 65 (installation diameter 68.0 mm)
- Size 80 (installation diameter 87.5 mm)

Pressure rating

PN 16 for size 50 ... 80, PN 25 for size 25

Pressure ranges

0 ... 0,25 bar to 0 ... 16 bar or to 0 ... 25 bar with size 25

Material of wetted parts

Stainless steel 1.4435 (AISI 316L)

Measuring instrument connection

Pressure gauge or transmitter directly welded, process pressure transmitter with threaded adapter

System fill fluid

KN 7 Glycerine, food compatible, FDA approved, per standard US Pharmacopoeia XXIV and European Pharmacopoeia (1998)



Diaphragm Seal, NEUMO BioControl® Model 990.60
with Pressure Transmitter, Stainless Steel Fieldcase
Model F-20



Diaphragm Seal, NEUMO BioControl® Model 990.60
with Pressure Gauge, Stainless Steel Series Model
232.50.100

Options

Process connection

- Material: stainless steel 1.4435, electropolished

Diaphragm seal for connection to Zone 0

- Body with flame arrester

Pressure measuring instrument assembly

- Assembly via cooling tower
- Assembly via capillary, when ordering please specify length of capillary

System fill fluid

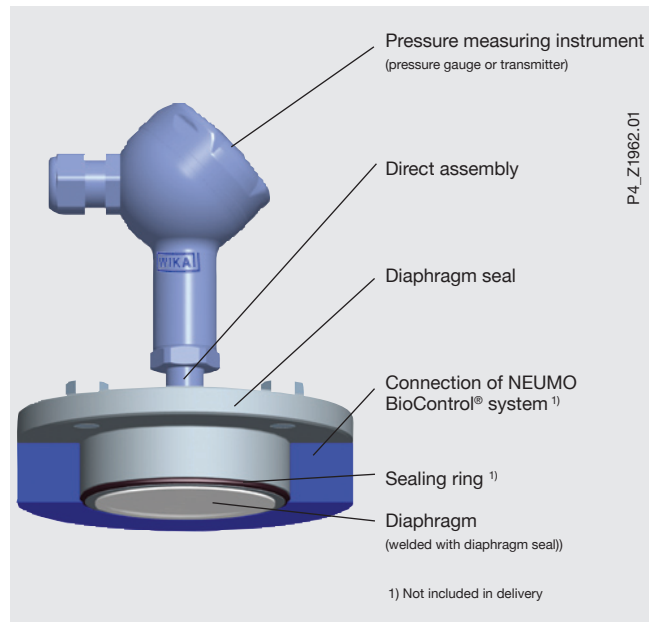
- KN 12: Glycerine/water, FDA approved
- KN 59: Neobee® M-20, FDA approved
- KN 92: Medicinal white mineral oil, FDA and USP approved

Documentation

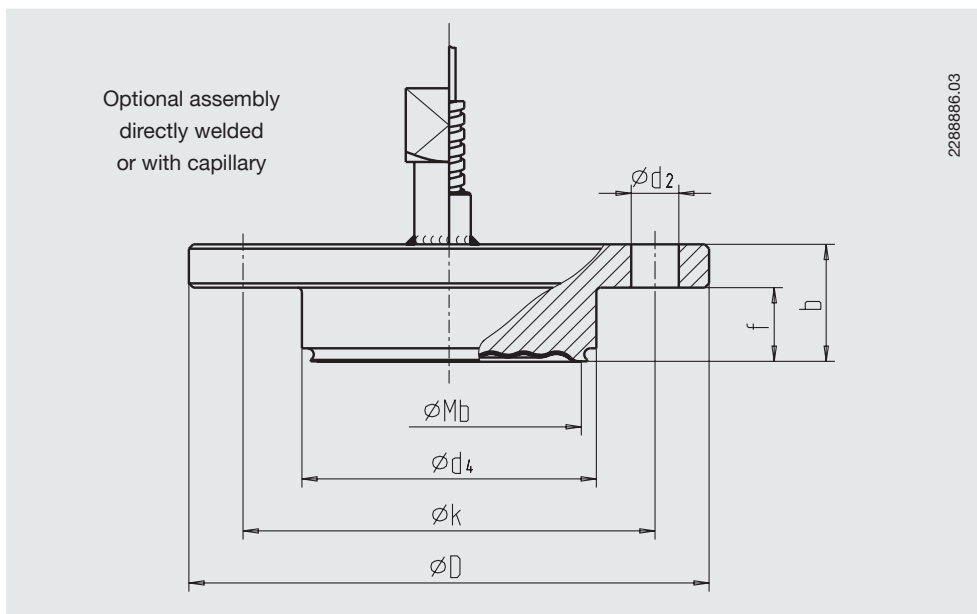
- 2.2 or 3.1 Material Certificate, DIN 10 204
 - Test and calibration certificates
 - Pressure and stability tests
 - Confirmation of FDA approval
 - 3-A symbol approval certificate
- Further certificates and documents on request

Example for installation

Diaphragm seal for sterile process technology model 990.60



Dimensions in mm



BioControl® connection	Dimensions in mm							Weight in kg
	Mb	d ₂	d ₄	D	f	b	k	
Size 25	22	4 x Ø 7	30.5	64	11	20	50	0.27
Size 50	40	4 x Ø 9	50	90	17	27	70	0.65
Size 65	59	4 x Ø 11	68	120	17	27	95	1.30
Size 80	72	4 x Ø 11	87.5	140	25	37	115	2.65

Mb = effective diameter of diaphragm

Assembly on bourdon tube pressure gauges

- Stainless steel version model 232.50/233.50, without/with liquid filling (see data sheet PM 02.02)



- Stainless steel, safety pattern version model 232.30/233.30, without/with liquid filling (see data sheet PM 02.04)



Following application conditions apply:

- Pressure gauge directly assembled on diaphragm seal
Temperature range
process: +10 ... +150 °C
ambient: +10 ... +40 °C

		NEUMO BioControl® connection with DN			
		25	50	65	80
Pressure gauge	Model	23x.50.63	23x.50.63 23x.50.100	23x.50.63 23x.50.100	23x.50.100 23x.30.100
Minimum measuring range		0 ... 4 bar -1 ... +3 bar	0 ... 1 bar -1 ... +3 bar	0 ... 1 bar -1 ... +3 bar	0 ... 0.6 bar -1 ... +1.5 bar
Overpressure safety (optional)		-	2 x full scale value	2 x full scale value	2 x full scale value
Inductive alarm contact (optional), suitable for Zone 1 and Zone 2 (model 831)		-	possible	possible	possible

Assembly on transmitters

- Pressure transmitter model S-10 or model F-20, (see data sheet PE 81.01 or PE 81.19)



- Process pressure transmitter UniTrans, model UT-10 / IUT-10, (see data sheet PE 86.01 / PE 86.02)



- or with process pressure transmitter, model IPT-10, (see data sheet PE 86.11)



The above mentioned application conditions apply.

		NEUMO BioControl® connection with DN			
		25	50	65	80
Minimum measuring range		0 ... 4 bar	0 ... 600 bar	0 ... 600 mbar	0 ... 250 mbar

Further instrument versions and measuring ranges can be supplied subject to technical verification and clarification by WIKA.

Ordering information

Model / Size of NEUMO BioControl® connection / Material of wetted parts / Type of assembly, if necessary length of capillary / System fill fluid / Assembly on pressure measuring instrument model... / Process conditions as per questionnaire / Options or special versions

Modifications may take place and materials specified may be replaced by others without prior notice.
Specifications and dimensions given in this leaflet represent the state of engineering at the time of printing.

