

Diaphragm Seals For Pulp and Paper Industry Model 990.23

WIKA Data Sheet DS 99.34

Applications

- Chemical pulp manufacture
- Recovered/recycled paper treatment
- For highly viscous, aggressive or hardening media

Special Features

- For vertical installation also with L-bow 90° or L-bow 90° and vibration damper
- Wide choice of special materials



Diaphragm Seal, Model 990.23

Description

Design

Body with extended diaphragm to fit DN 48 pulp and paper industry connection.

Process connection

Loose retainer flange (6 bores Ø 7 mm, diameter 70 mm PDC)

Body and diaphragm extension

Stainless steel 316L

Diaphragm

Stainless steel 316L, welded with body

Pressure rating

PN 25, 40

Pressure ranges

0 ... 0.6 to 0 ... 40 bar

Diaphragm extension

6.5 mm

Retainer flange

Steel, nickel plated

Instrument connection

Stainless steel 316L, G ½ female per EN 837-1

Options

Body and diaphragm extension

- Stainless steel 1.4571, 1.4435, 1.4541, Duplex 1.4462, Monel
- PFA coating max. +260 °C
- ECTFE (Halar®) coating max. +150 °C

Diaphragm

- Special materials same as body
- Wikaramic® coating as protection against abrasive media

Diaphragm extension

- Custom length on request

Retainer flange

- Stainless steel 316L, PN 40

Instrumentation connection

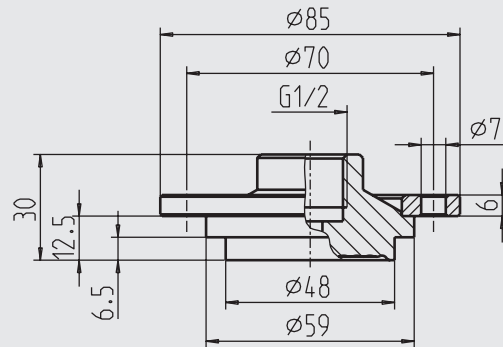
- Capillary with body and gauge adapter G ½ female to fit surface mounting bracket per EN 837-1
- Cooling tower (for directly mounted gauge when medium temperature > +100 °C)
- Optionally:
 - Rigid L-bow 90°
 - L-bow 90° 180° rotatable
 - L-bow 90° with vibration damper

Accessories

- Weld neck flange for installation of diaphragm seal to the process pipe
- Sealing ring, Buna rubber

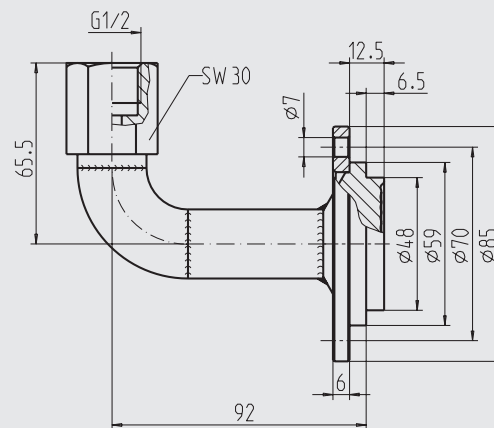
Dimensions in mm

Standard version



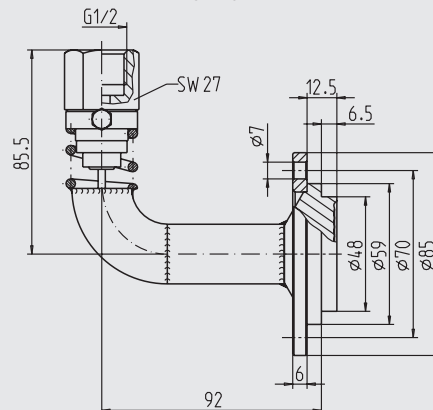
1036904.02

Version with L-bow 90°



1036912.02

Version with L-bow 90° and vibration damper (not for fluid filled pressure gauges > NS 100)



1036920.02

Ordering information

Model / Process connection / Material of wetted parts / System fill fluid / Assembly on pressure measuring instrument model... / Process conditions per questionnaire

Modifications may take place and materials specified may be replaced by others without prior notice. Specifications and dimensions given in this leaflet represent the state of engineering at the time of printing.

