

# Pressure transmitter for medical gases Model MG-1

WIKA data sheet PE 81.44

## Applications

Distribution and storage of medical gases, especially oxygen in hospitals, at home and in ambulances.

## Special features

- Measuring ranges from 0 ... 6 bar to 0 ... 16 bar and from 0 ... 200 bar to 0 ... 400 bar
- Output signals 4 ... 20 mA, 0 ... 10 V, 0 ... 5 V, 1 ... 5 V, 0,5 ... 4.5 V ratiometric
- Electrical connection M 12 x 1 (IP 67), 2 m cable (IP 67), 2 m shielded cable (IP 67)
- Process connection G 1/4 B, 1/4 NPT, 7/16-20 UNF, G 1/4 DIN 3852-E, G 1/8 B, 1/8 NPT, ...
- Oxygen clean in accordance with international standards



Pressure transmitter model MG-1

## Description

In order to prevent a safety risk in an oxygen application, two major design rules have to be fulfilled:

Only those materials suitable for oxygen services may be used. Contamination must have been carefully removed from those materials in contact with oxygen.

Additionally the cleaned product must be specially packed, in order to maintain the level of cleanliness, and the product must also be marked as suitable for oxygen usage.

In line with the international standards, different levels of cleanliness, different packaging and different oxygen markings are recommended.

As the MG-1 pressure transmitter offers a wide range of possibilities, a solution can be offered which is optimised and tailor-made to the individual application.

## Specifications

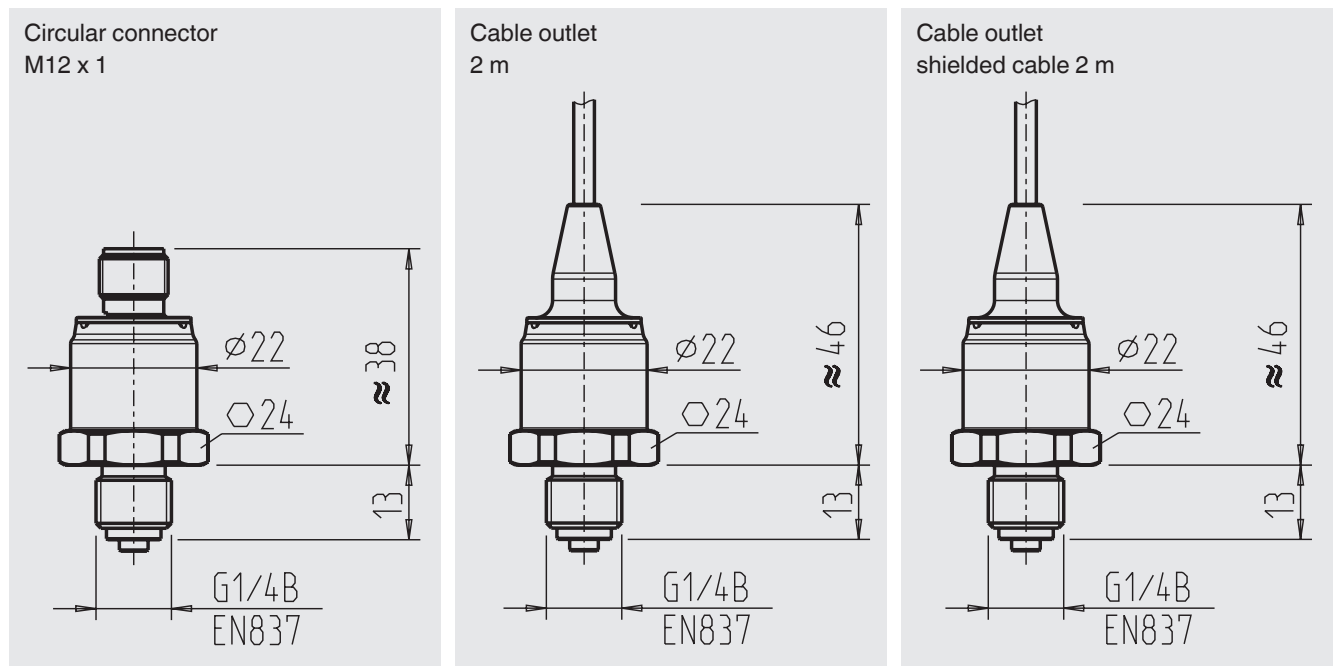
## Model MG-1

Measuring range	bar	6	10	16	200	300	400
Overpressure safety	bar	20	20	32	500	800	800
Burst pressure	bar	25	25	160	1200	1700	1700
Measuring range	psi	100	150	200	3000	4000	5000
Overpressure safety	psi	290	290	460	7200	11000	11000
Burst pressure	psi	1450	1450	2300	17000	24000	24000
MPa, kPa and kg/cm <sup>2</sup> available; -1/0 bar or -30/0 inHg upon request							
Level of cleanliness		Measuring range < 30 bar / 435 psi			Measuring range > 30 bar / 435 psi		
■ Breathing gas		free from oil and grease			free from oil and grease		
- Residual hydrocarbons	mg/m <sup>2</sup>	< 1000			< 1000		
■ Medical standard		per ISO 15001			per ISO 15001		
- Residual hydrocarbons	mg/m <sup>2</sup>	< 550			< 220		
- Particle size	µm	not applicable			on request		
■ Industrial standard		Free from oil and grease for oxygen per ASTM G93 Level D/E and DIN 19247			Free from oil and grease for oxygen per ASTM G93 Level D/E and DIN 19247		
- Residual hydrocarbons	mg/m <sup>2</sup>	< 550			< 220		
■ High industrial standard		Free from oil and grease for oxygen per ASTM G93 Level C			Free from oil and grease for oxygen per ASTM G93 Level C		
- Residual hydrocarbons	mg/m <sup>2</sup>	< 66			< 66		
Materials							
■ Process connection		Stainless steel, 316L and 13-8 PH					
■ Case		Stainless steel, 316L					
■ Electrical connection		Highly resistant glass-fibre reinforced plastic (PBT GF30)					
Output		Output signal	Power supply U <sub>B</sub>		Max. resistive load R <sub>A</sub>		
		4 ... 20 mA, 2-wire	DC 8 ... 30 V		R <sub>A</sub> ≤ (U <sub>B</sub> - 7 V) / 0.02 A		
		0 ... 10 V, 3-wire	DC 14 ... 30 V		R <sub>A</sub> > 10 kOhm		
		0 ... 5 V, 3-wire	DC 8 ... 30 V		R <sub>A</sub> > 5 kOhm		
		1 ... 5 V, 3-wire	DC 8 ... 30 V		R <sub>A</sub> > 5 kOhm		
		0.5 ... 4.5 V ratiometric	DC 5 V ± 5 %		R <sub>A</sub> > 4.5 kOhm		
Total current consumption	mA	max. 10					
Settling time	ms	≤ 2					
Non-linearity	% of span	≤ ± 0.5 (BFSL) to IEC 61298-2					
Accuracy <sup>1)</sup>	% of span	≤ ± 2					
Long-term stability	% of span	≤ ± 0.3 / year					
Reference conditions							
■ Temperature	°C	15 ... 25					
■ Humidity	%	15 ... 95 non-condensing					
■ Ambient pressure	mmHg	500 ... 800					
Permissible temperature ranges							
■ Operation		-20 ... +70 °C		-4 ... +158 °F			
■ Storage		-25 ... +80 °C		-13 ... +176 °F			
Temperature error in operating temperature range	% of span	≤ ± 2.0					
CE conformity							
■ Pressure equipment directive		97/23/EC					
■ EMC directive		2004/108/EC, EN 61326 Emission (Group 1, Class B) and Immunity (industrial locations)					
Shock resistance	g	40 (6 ms) per IEC 60068-2-27 (mechanical shock)					
Vibration resistance	g	20 (20 ... 2000 Hz, 120 min.) per IEC 60068-2-6 (vibration under resonance)					
Short-circuit resistance		S <sub>+</sub> vs. 0V					
Reverse polarity protection		U <sub>B</sub> vs. 0V					
Weight	kg	approx. 0.08					

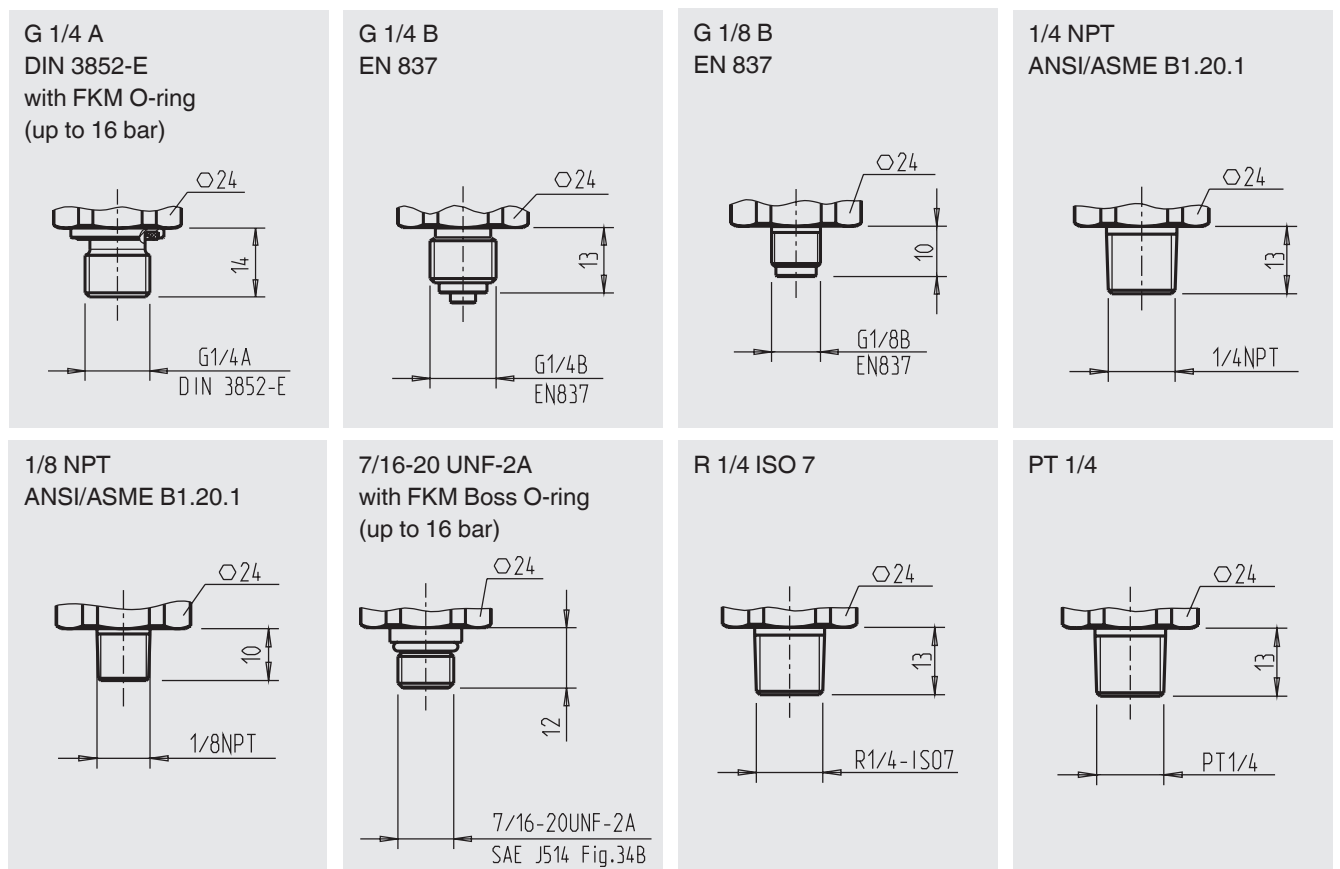
<sup>1)</sup> Including non-linearity, hysteresis, zero-point and full scale value deviations (corresponds to measured error per IEC 61298-2).  
Calibrated in vertical mounting position with process connection facing downwards.

## Dimensions in mm

### Electrical connections




### Process connections



For information on tapped holes and welding sockets, see Technical Information IN 00.14 at [www.wika.de](http://www.wika.de).

## Electrical connections

Electrical connections									
Description	Circular connector M12 x 1, 4-pin			Cable outlet cable 2 m			Cable outlet shielded cable 2 m		
									
2-wire	UB = 1	0V = 3		UB = brown	0V = green		UB = brown	0V = blue	
3-wire	UB = 1	0V = 3	S+ = 4	UB = brown	0V = green	S+ = white	UB = brown	0V = blue	S+ = black
Wire cross-section	-			3 x 0.14 mm <sup>2</sup>			3 x 0.14 mm <sup>2</sup>		
Cable diameter	-			3.2 mm			4.3 mm		
Ingress protection to IEC 60529	IP 67			IP 67			IP 67		
The stated ingress protection only applies when plugged-in using mating connectors that have the appropriate ingress protection.									

## Packaging

Degree of purity	Type of packaging
■ Breathing gas	Protection cap on the process connection
■ Medical standard	Protection cap on the process connection and sealed in a plastic bag
■ Industrial standard	Optional: protection cap on the process connection and sealed in double plastic bag
■ High industrial standard	

© 2011 WIKA Alexander Wiegand SE & Co. KG, all rights reserved.  
The specifications given in this document represent the state of engineering at the time of publishing.  
We reserve the right to make modifications to the specifications and materials.

