

Bourdon Tube Pressure Gauges

High Pressure Series, Class 1.0 • Model 222.30
Class 0.6 • Model 322.30

Pressure Gauges



Service intended

Suitable for gaseous or liquid media that will not obstruct the pressure system.

Design

Safety pattern (Solidfront) referring to EN 837-1
Welded pressure element assembly

Nominal size

160 mm

Accuracy class per EN 837-1 /6

Model 222.30: 1.0

Model 322.30: 0.6

Scale ranges per EN 837-1 /5

0 ... 2500 and 0 ... 4000 bar

Working pressure

Steady: full scale value

Fluctuating: $\frac{2}{3}$ x full scale value

Operating temperature

Ambient: -25 ... +60 °C

Medium: +100 °C maximum

Temperature effect

When temperature of the pressure element deviates from reference temperature (+20 °C):
max. $\pm 0.4\%$ /10 K of true scale value

Ingress protection

IP 65 per EN 60 529 / IEC 529

Standard features

Pressure connection

Material: stainless steel

Radial entry, $\frac{5}{8}$ - 18 UNF - 3B female thread with 60° sealing cone per Autoclave Engineers, optionally with M16 x 1.5 female thread with 60° sealing cone (advise in order).

Pressure element

Material: NiFe-alloy

Movement

Stainless steel

Dial

White aluminium with black lettering

Pointer

Black aluminium



Case

Natural finish stainless steel, case with solid baffle wall and blow-out back.

Window

Laminated safety glass

Bezel ring

Cam ring (bayonet type), natural finish stainless steel

Installation

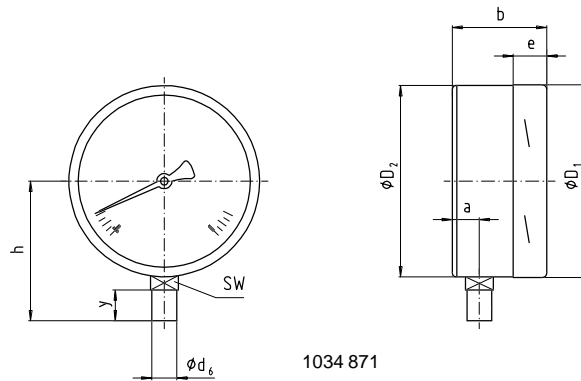
Surface mounting with gauge support (60 mm extension) supplied with instrument.

Optional extras

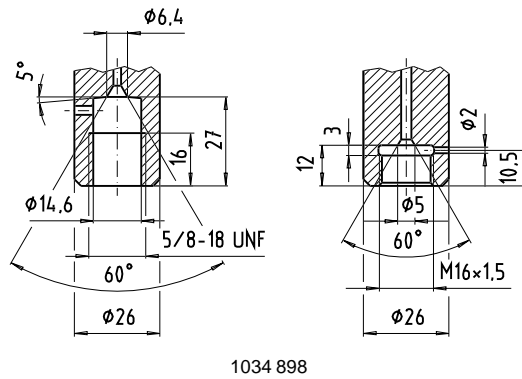
- Liquid filling (**model X23.30**)
- G $\frac{3}{4}$ B male pressure connection per ISO 228/1
- M 27 x 2 to fit lens type seal with 60° sealing cone
- 3-hole panel mounting flange

Dimensions
Standard version

Radial bottom pressure entry



Pressure connection (advise in order)



Nominal size	Dimensions [mm]									Weight [kg]
	a	b	D ₁	D ₂	d ₆	e	h ± 2	y	SW	
160	26.5	71	161	159	26	26	125	30	27	2.00 ¹⁾

1) with liquid filling 3.2 kg

Ordering information

State:
 Pressure gauge model / Scale range / Size of connection / Optional extras required

Specifications and dimensions given in this leaflet represent the state of engineering at the time of printing. Modifications may take place and materials specified may be replaced by others without prior notice.



WIKAI Alexander Wiegand GmbH & Co. KG
 Alexander-Wiegand-Straße · 63911 Klingenberg
 ☎ (0 9372) 132-0 · ☎ (0 9372) 132-406/414
<http://www.wika.de> · E-mail: info@wika.de