

A4A Precision Pressure Gauge



FEATURES

- $\pm 0.1\%$ F.S. accuracy – ASME B40.1, Grade 4A
- Ranges from 15-100,000 psi
- Solid front protective case
- High and low pressure limit stops
- Mirror band dial to eliminate parallax reading error
- Optional temperature compensation maintains 0.1% accuracy from -25 to $+125^\circ\text{F}$

The Ashcroft precision pressure gauge yields consistent, reliable accuracy through the use of state-of-the-art precision machining and the world's most refined bourdon tube technology. This eliminates the need for a power source and precludes the associated problems such as susceptibility to electronic line noise, power outage or potential fire hazard. In addition, this mechanical instrument is simple to operate, easy to troubleshoot, and can be readily flushed or purged to remove foreign matter or trapped gas. Accurate and reliable, the Ashcroft A4A sets a new standard for precision test gauges.

SPECIFICATIONS

Accuracy: $\pm 0.1\%$ of Span
Includes Calibration Certificate Traceable to NIST.
Meets requirements of MIL-STD-45662 and ASME B40.1 Grade 4A

Repeatability: $\pm 0.02\%$ of Span

Hysteresis: $< 0.1\%$ of Span ⁽¹⁾

Sensitivity: 0.01% of Span

Pressure Ranges: 0/15 psi through 0/100,000 psi

"Unitized" Bourdon Tube Materials

Pressure Ranges:

Beryllium Copper	0/15 psi thru 0/40 psi
403 SS	0/50 psi thru 0/100,000 psi

Standard Pressure Inlet Type & Location:

$\frac{1}{4}$ NPT Female – Back Connect	0/15 psi thru 0/10,000 psi
$\frac{3}{16}$ -18 UNF-2B Female – Back Connect	Over 10,000 through 100,000 psi

White Dial, Knife-Edge Pointer, Mirror Ring:

Available Dial Sizes	6"	8.5"	12"	16"
Scale Length	18"	25"	31.5"	43.25"
Pointer Travel	350°*			

*Ranges over 30,000 psi have less travel

OPTIONAL FEATURES

"Unitized" Bourdon Tube Materials/Pressure Ranges:

Beryllium Copper	0/50 psi through 0/10,000 psi
403	0/15 psi through 0/40 psi

Optional Pressure Inlet Type and Location:

(Specify type and location)

$\frac{1}{4}$ NPT Female Bottom
$\frac{1}{8}$ NPT Male or Female–Back or Bottom
$\frac{1}{4}$ NPT Male or Female–Back or Bottom
$\frac{3}{16}$ -18 UNF-2B Female for $\frac{1}{4}$ " HP Tubing
MS33649-4 Female Only–Back or Bottom
MS33656-4 Male Only–Back or Bottom
MS-16142 Female Only–Back or Bottom
Mil-G-18997D Male Only–Back or Bottom

Dual Scale: For example, psi & inches of mercury or inches of water & kPa

Optional Pressure Types: Absolute, Vacuum, Compound⁽²⁾

Bimetallic Temperature Compensator: Eliminates temperature errors from -25°F to $+125^\circ\text{F}$ ⁽³⁾

Other Engineering Units/Special Scales: For example, tons on ram

Slotted Link: Protects gauge from damage due to sudden pressure release

Peak Load Indicator: Tracks the maximum indicated pressure measurement

Wall Mounting Brackets: Provides simplified wall mounted installation

⁽¹⁾ Hysteresis may exceed $\pm 0.1\%$ of span for ranges equal to or greater than 75,000 psi. ($\pm 0.3\%$ typical not to exceed $\pm 0.4\%$ of span).

⁽²⁾ Absolute gauges require manual settings of barometric pressure

⁽³⁾ Recommended for precision applications where ambient temperature varies more than $\pm 10^\circ\text{F}$

A4A Precision Pressure Gauge

STANDARD PRESSURE RANGES

psi	
Standard Bourdon Tube Material**	Standard Range psi
BERYLLIUM COPPER	0-15
	0-20
	0-25
	0-30
	0-40
403 STAINLESS STEEL	0-50
	0-60
	0-75
	0-100
	0-150
	0-200
	0-250
	0-300
	0-400
	0-500
	0-600
	0-750
	0-1000
	0-1500
	0-2000
	0-2500
	0-3000
	0-4000
	0-5000
	0-6000
	0-7500
	0-10,000
	0-15,000
	0-20,000
	0-25,000
0-30,000	
0-40,000	
0-50,000	
0-60,000*	
0-75,000*	
0-100,000*	

*Available in 8½", 12", 16" Dial face diameters only.
 **For optional Bourdon Tube Materials see pages 4-5 Bulletin HE-1.

INCHES MERCURY	
Standard Bourdon Tube Material**	Standard Range Inches Mercury
BERYLLIUM COPPER	0-30
	0-40
	0-50
	0-60
	0-75
403 STAINLESS STEEL	0-100
	0-125
	0-150
	0-200
	0-250
	0-300
	0-400
	0-500
	0-600
	0-750
0-1000	
VACUUM	
BERYLLIUM COPPER	-30 to 0
COMPOUND	
	Vacuum-Pressure
BERYLLIUM COPPER	15 in.Hg - 15 in.Hg
	30 in.Hg - 30 in.Hg
	30 in.Hg - 60 in.Hg
403 STAIN. STEEL	30 in.Hg - 100 in.Hg
BERYLLIUM COPPER	30 in.Hg - 150 in.Hg
403 STAINLESS STEEL	30 in.Hg - 15 psi
	30 in.Hg - 30 psi
	30 in.Hg - 60 psi
	30 in.Hg - 100 psi
	30 in.Hg - 150 psi
	30 in.Hg - 300 psi
INCHES WATER	
BERYLLIUM COPPER	0-450
	0-500
	0-600
	0-750
	0-800
	0-1000

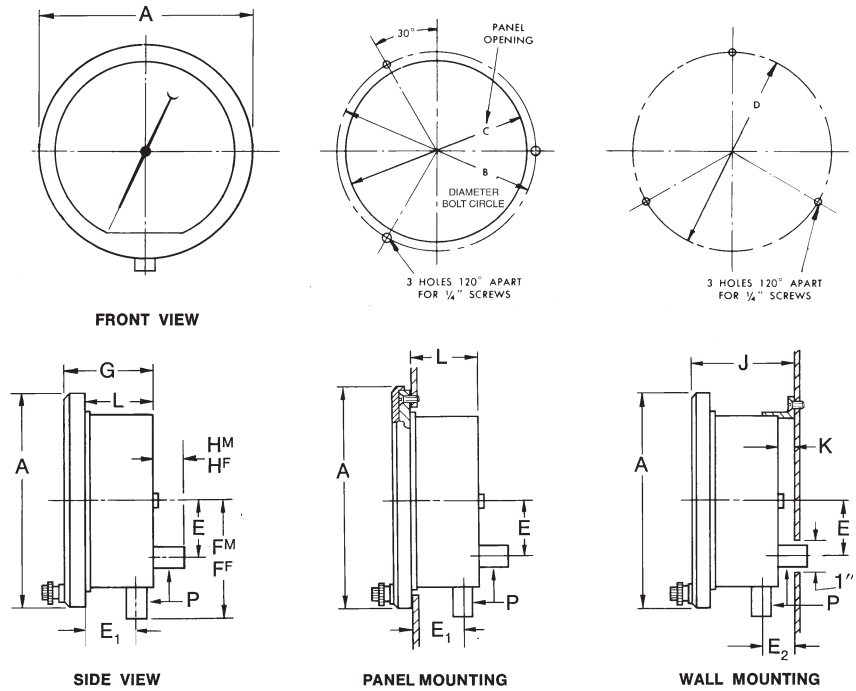
MILLIMETERS MERCURY	
Standard Bourdon Tube Material**	Standard Range Millimeters Mercury
BERYLLIUM COPPER	0-760
	0-1000
	0-1250
	0-1500
	0-2000
	0-2500
403 STAINLESS STEEL	0-3000
	0-4000
	0-5000

MILLIMETERS MERCURY (Cont.)			
Standard Bourdon Tube Material**	Standard Range Millimeters Mercury		
	bar	kPa	mPa
	kg/cm2	kp/cm2	
BERYLLIUM COPPER	0.2-1	-	-
	0-1	0-100	-
	0-1.6	0-160	-
	0-2	0-200	-
	0-2.5	0-250	-
	0-3	0-300	-
	0-4	0-400	-
	0-5	0-500	-
	0-6	0-600	-
	0-7.5	0-750	-
	0-10	0-1000	0-1
	0-12	0-1200	0-1.5
	0-16	0-1600	0-1.6
	0-20	0-2000	0-2
	0-25	0-2600	0-2.5
	0-30	0-3000	0-3
	0-40	0-4000	0-4
	0-50	0-5000	0-5
	0-60	0-6000	0-6
	0-75	0-7500	0-7.5
	0-100	0-10,000	0-10
	0-125	-	0-12.5
	0-160	-	0-16
	0-200	-	0-20
	0-250	-	0-25
	0-400	-	0-40
	0-500	-	0-50
	0-600	-	0-60
	0-750	-	0-75
	0-1000	-	0-100
	0-1250	-	0-125
	0-1600	-	0-160
	0-2500	-	0-250
	0-4000	*-	0-400
	0-6000	*-	0-600
	0-7000	*-	0-700
VACUUM			
BERYLLIUM COPPER	-1 to 0	-	-

*Available in 8½", 12", 16" Dial face diameters only.

A4A Precision Pressure Gauge

DIMENSION DRAWINGS



Size	Dim. Units	A	B	C	D	E	E ₁	E ₂	F _M	F _F	G	H _M	H _F	J	K	L
6"	in.	7 ⁷ / ₈	7	6 ¹ / ₂	7	2	1 ⁷ / ₈	1 ¹ / ₄	4 ⁹ / ₁₆	4 ¹ / ₄	3 ¹ / ₄	1 ³ / ₈	1 ¹ / ₁₆	3 ²⁷ / ₃₂	5 ⁵ / ₈	2 ¹⁵ / ₃₂
	mm	200	177.8	165.1	177.8	50.8	47.6	31.8	115.8	107.9	82.3	34.9	27	97.6	15.9	62.7
8 ¹ / ₂ "	in.	10 ⁵ / ₁₆	9 ³ / ₈	8 ¹⁵ / ₁₆	9 ¹ / ₂	2	1 ⁷ / ₈	1 ¹ / ₄	5 ⁴³ / ₆₄	5 ²³ / ₆₄	3 ¹ / ₄	1 ³ / ₈	1 ¹ / ₁₆	4 ¹ / ₃₂	5 ⁵ / ₈	2 ²¹ / ₃₂
	mm	261.9	238.1	228.6	241.3	50.8	47.6	31.8	144	136.1	82.3	34.9	27	102.4	15.9	67.4
12"	in.	13 ²¹ / ₃₂	12 ³ / ₄	12 ³ / ₈	9 ¹ / ₂	2	1 ⁷ / ₈	1 ¹ / ₄	5 ⁴³ / ₆₄	5 ²³ / ₆₄	3 ¹ / ₄	1 ³ / ₈	1 ¹ / ₁₆	4 ¹ / ₃₂	5 ⁵ / ₈	2 ²¹ / ₃₂
	mm	346.9	329.9	314.3	241.3	50.8	47.6	31.8	144	136.1	82.3	34.9	27	102.4	15.9	67.4
16"	in.	17 ²³ / ₃₂	16 ³ / ₄	16 ³ / ₈	9 ¹ / ₂	3 ¹ / ₄	1 ⁵ / ₁₆	1 ⁸³ / ₆₄	5 ⁹ / ₁₆	5 ¹ / ₄	3 ²⁵ / ₆₄	1 ³ / ₈	1 ¹ / ₁₆	4 ¹ / ₁₆	4 ¹ / ₆₄	2 ²¹ / ₃₂
	mm	450.1	425.2	415.9	241.3	82.6	33.3	50.4	141.3	133.4	86.1	35.0	27.0	103.1	16.3	67.4

Inlet Pressure Connection* P	Pressure connection is illustrated in both back and bottom configurations. See page 4 for available fitting types.				
	Dial Size	6"	8 ¹ / ₂ "	12"	16"
Approximate Weight	Net Weight	4 ¹ / ₂ lbs.	7 ³ / ₄ lbs.	10 ¹ / ₄ lbs.	14 ¹ / ₄ lbs.
	Shipping Weight	7 lbs.	10 lbs.	15 lbs.	21 lbs.

*Standard Inlet Fittings: 1/4 NPT Female Back Connection for ranges up to and including 10,000 psi. AMINCO 45-11310 or AUTOCLAVE F-250-C for ranges over 10,000 psi.