

Type 1005P, XUL Fire Protection Sprinkler Service Gauge



**Triple
Scale Dials
NOW
Available**



Shown with Optional Rubber Boot

FEATURES

- Underwriters Laboratory listed and Factory Mutual approved
- Corrosion-resistant ABS case
- Heat-resistant polycarbonate push-in window
- Patented PowerFlex™ movement with polyester segment
- True Zero™ indication, a unique safety feature

Ashcroft® fire protection sprinkler gauges are Underwriters Laboratory listed and Factory Mutual approved for fire protection sprinkler service. The case material on Type 1005P, XUL gauges is ABS. The 0-300 psi pressure range is used on “wet” systems where water is available to the sprinkler heads. The 0-80 retard to 250 psi pressure range is used on dry systems where the lines are filled with air pressure until system activation. The 0-600 psi gauge is available for systems requiring higher pressures.

Due to global demands for fire protection sprinkler gauges, Ashcroft offers UL listed, triple scale (bar, kPa, psi) dial gauges.

The patented PowerFlex™ movement with polyester segment is designed to provide unequalled shock and vibration resistance resulting in superior performance and extended gauge life.

True Zero™ indication, a standard feature on these gauges, reduces the potential risk of installing a damaged gauge on your equipment.

PRODUCT SPECIFICATIONS

Ashcroft® Model No.:	1005P, XUL
Accuracy:	ASME B 40.100 Grade B (±3-2-3% of span)
Size:	3½”
Case:	ABS (Polycarbonate blend)
Ring:	None
Window:	Polycarbonate, push-in
Dial:	Black figures on white background
Pointer:	Black, aluminum
Bourdon tube:	“C” shaped bronze
Movement:	Patented PowerFlex™ with polyester segment
Socket:	Brass
Restrictor:	None
Connection:	¼ NPT lower
Ranges:	Single, dual or triple scale 0-300 psi (water) 0-80 retard to 250 psi (air) 0-600 psi

Operating temperature: –40°F to 150°F; –40°C to 65°C

UL 393 Listed, UL of Canada Listed and FM approved. Equivalent (single or dual scale) metric scales are available

OPTIONAL FEATURES

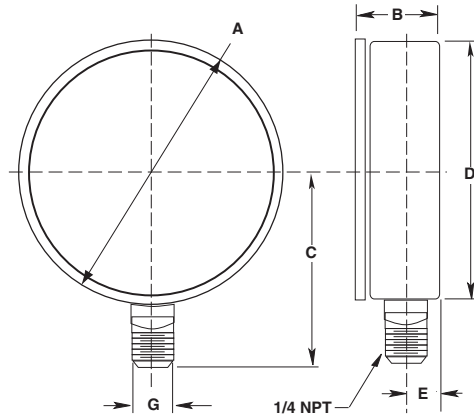
- Customized dials
- Other UL listed ranges on application
- Black Rubber Gauge Boot

HOW TO ORDER (Typical example)

Dial Size: 3½”	_____	35	W	1005	P	H	02L	XUL	300#
Movement: Patented PowerFlex™	_____								
Case Type Number: 1005P	_____								
Case Material: ABS	_____								
Socket Material: Brass	_____								
Connection Size/Location: ¼ NPT Lower	_____								
Listing: UL listed, FM approved	_____								
Range: 0/300 psi	_____								

Type 1005P, XUL Fire Protection Sprinkler Service Gauge

DIMENSIONS



SIZE/TYPE	A	B	C	D	E	G	Weight
3 1/2"	3.70	1.14	2.72	3.61	0.47	0.56	5.36 oz
1005P, XUL	(94)	(29)	(69)	(92)	(11.9)	(14.2)	0.152 kg