

Data Sheet

1008S 40mm (1½") & 50mm (2") Stainless Steel Case Pressure Gauge

FEATURES

- All SS construction
- True Zero™ reduces reading errors by using a "zero box" instead of conventional dial pins
- FlutterGuard™ (option) reduces movement wear and pointer flutter
- Liquid fillable option

TYPICAL USES

- Where space limitations exist
- Control valves - corrosion resistant gauge
- Hydraulic tools
- Outdoor installation



1008S
50mm dial size
Back connection

1008S
50mm dial size
Lower connection



1008S
50mm dial size
Center back connection
with U-clamp

1008S
40mm dial size
Back connection

1008S
40mm dial size
Lower connection

SPECIFICATIONS

| | |
|-----------------------------|--|
| Accuracy: | ±3-2-3% of span (ASME, B40.100 Grade B) |
| Process connection location | Lower and center back |
| Ranges: | 40mm: Vacuum, compound to 15,000 psi 50mm: Vacuum, compound to 20,000 psi |
| Movement: | 304 SS, gear type |
| Window: | Polycarbonate |
| Pointer: | Black, aluminum |
| Weather Protection: | NEMA 4/IP66 |
| Dampening Options: | FlutterGuard™ and throttle plugs |

WETTED COMPONENTS

| Model | Bourdon Tube | Process Connection Materials | Joints |
|-------|--------------|------------------------------|--------|
| 1008S | 316L SS | 316L SS | Welded |

NON-WETTED COMPONENTS

| Model | Case | Ring |
|-------|-------------------|---------------------------|
| 1008S | 304 SS (standard) | 316 SS (standard) crimped |

MIN/MAX TEMPERATURE LIMITS

| Version | Ambient | Process | Storage |
|------------------|-----------------------------------|------------------------------------|-----------------------------------|
| Dry | -40°F to 200°F (-40°C to 93°C) | -40°F to 250°F (-40°C to 121°C) | -40°F to 200°F (-40°C to 93°C) |
| Glycerin Fill | 20°F to 150°F (-7°C to 66°C) | 20°F to 200°F (-7°C to 93°C) | 0°F to 150°F (-18°C to 66°C) |
| Silicone Fill | -40°F to 150°F (-40°C to 66°C) | -40°F to 200°F (-40°C to 93°C) | -40°F to 150°F (-40°C to 66°C) |
| Halocarbon® Fill | -40°F to 150°F (-40°C to 66°C) | -40°F to 200°F (-40°C to 93°C) | -40°F to 150°F (-40°C to 66°C) |



KEY BENEFITS

- Where space limitations exist
- New crimped ring for tighter seal and IP66 rating
- For severe outdoor and corrosive applications

Data Sheet

1008S 40mm (1½") & 50mm (2") Stainless Steel Case Pressure Gauge

| ORDERING CODE | Example: | 501008 | S | L | 02 | L | XC4 | 100# |
|--|----------|--------|---|---|----|---|-----|------|
| Dial Size/Model Code | | | | | | | | |
| 401008 - 40mm dial | | | | | | | | |
| 501008 - 50mm dial | | | | | | | | |
| System | | | | | | | | |
| S - 316L SS tube/316 SS process connection | | | | | | | | |
| Case Fill | | | | | | | | |
| Blank - Dry liquid fillable | | | | | | | | |
| L - Liquid filled case (glycerin standard) | | | | | | | | |
| Process Connection Size | | | | | | | | |
| 01 - ½ NPT Male | | | | | | | | |
| 02 - ¼ NPT Male, N/A on 40mm lower connect gauges | | | | | | | | |
| RW - 7/16 x 20 SAE | | | | | | | | |
| Process Connection Location | | | | | | | | |
| L - Lower mount connection | | | | | | | | |
| B - Center back connection | | | | | | | | |
| Options (If choosing an option(s) must include an "X") | | | | | | | | |
| C4 - Individual calibration chart in accordance with ASME B 40.100 traceable to N.I.S.T. | | | | | | | | |
| ZY - FlutterGuard™ performance | | | | | | | | |
| 6B - Cleaned for oxygen service | | | | | | | | |
| SG - Safety glass | | | | | | | | |
| FF - Front flange | | | | | | | | |
| UC - U-clamp | | | | | | | | |
| NH - SS tag wired to case | | | | | | | | |
| RG - Regular glass | | | | | | | | |
| YW - 316L SS case and ring | | | | | | | | |
| Ranges (See range table for all standard ranges) | | | | | | | | |
| Single Scale | | | | | | | | |
| 100# - 100 psi | | | | | | | | |

Data Sheet

1008S 40mm (1½") & 50mm (2") Stainless Steel Case Pressure Gauge

| STANDARD PRESSURE RANGES | | | | | |
|--------------------------|------------|----------|-------------|-------------|--------------------|
| | psi | bar | kPa | MPa | kg/cm ² |
| Vacuum | 30IMV | N1BR | N100KP | N0.1MP | N1KG |
| | - | N1/0.6BR | N100/60KP | N0.1/0.06MP | N1/0.6KG |
| | 30IMV&15# | - | - | - | - |
| Compound | - | N1/1.5BR | N100/150KP | N0.1/0.15MP | N1/1.5KG |
| | 30IMV&30# | - | - | - | - |
| | - | N1/3BR | N100/300KP | N0.1/0.3MP | N1/3KG |
| | 30IMV&60# | - | - | - | - |
| | - | N1/5BR | N100/&500KP | N0.1/0.5MP | N1/5KG |
| | - | - | - | - | - |
| Positive Pressure | 30IMV&100# | - | - | - | - |
| | - | N1/9BR | N100/900KP | N0.1/9MP | N1/9KG |
| | 15# | 1BR | 100KP | 0.1MP | 1KG |
| | - | 1.6BR | 160KP | 0.16MP | 1.6KG |
| | 30# | - | - | - | - |
| | - | 2.5BR | 250KP | 0.25MP | 2.5KG |
| | 60# | 4BR | 400KP | 0.4MP | 4KG |
| | - | 6BR | 600KP | 0.6MP | 6KG |
| | 100# | - | - | - | - |
| | - | 10BR | 1000KP | 1MP | 10KG |
| | 160# | - | - | - | - |
| | 200# | - | - | - | - |
| | - | 16BR | 1600KP | 1.6MP | 16KG |
| | 300# | - | - | - | - |
| | - | 25BR | 2500KP | 2.5MP | 25KG |
| | 400# | - | - | - | - |
| | 600# | 40BR | 4000KP | 4MP | 40KG |
| | 800# | - | - | - | - |
| | - | 60BR | 6000KP | 6MP | 60KG |
| | 1000# | - | - | - | - |
| | 1500# | 100BR | 10000KP | 10MP | 100KG |
| | 2000# | - | - | - | - |
| | - | 160BR | 16000KP | 16MP | 160KG |
| | 3000# | - | - | - | - |
| | - | 250BR | 25000KP | 25MP | 250KG |
| | 4000# | - | - | - | - |
| | 5000# | - | - | - | - |
| 6000# | 400BR | 40000KP | 40MP | 400KG | |
| - | 600BR | 60000KP | 60MP | 600KG | |
| 8000# | - | - | - | - | |
| 10000# | - | - | - | - | |
| 15000# | 1000BR | 100000KP | 100MP | 1000KG | |
| (1) 20000# | 1400BR | 140000KP | 140MP | 1400KG | |

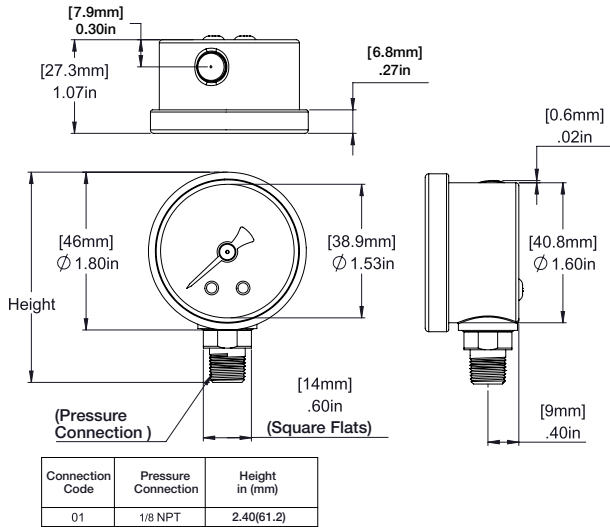
(1) Only available on 50mm size

Data Sheet

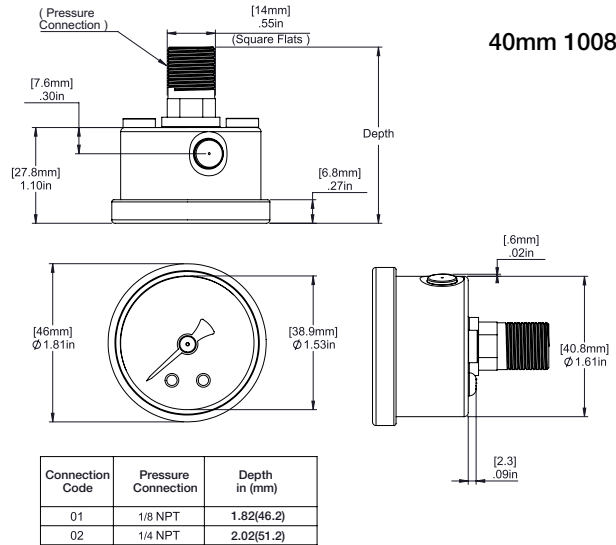
1008S 40mm (1½") & 50mm (2") Stainless Steel Case Pressure Gauge

DIMENSIONS dimensions in [] are millimeters

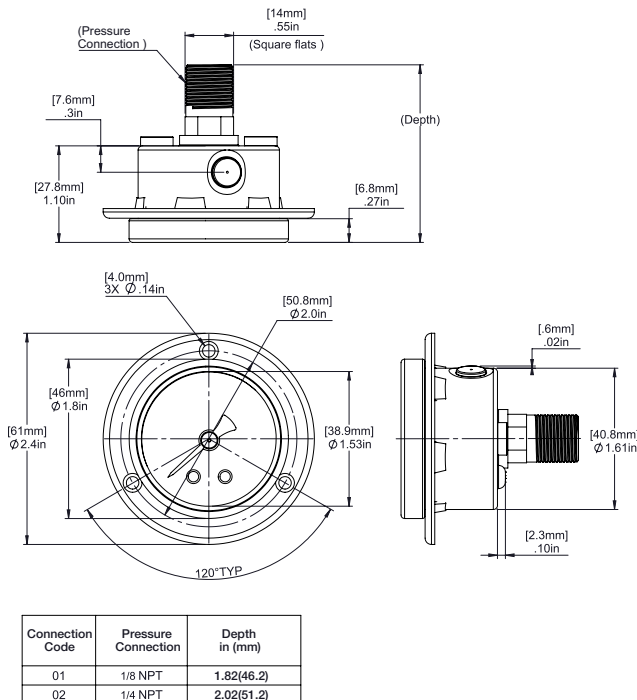
40mm 1008S 01L



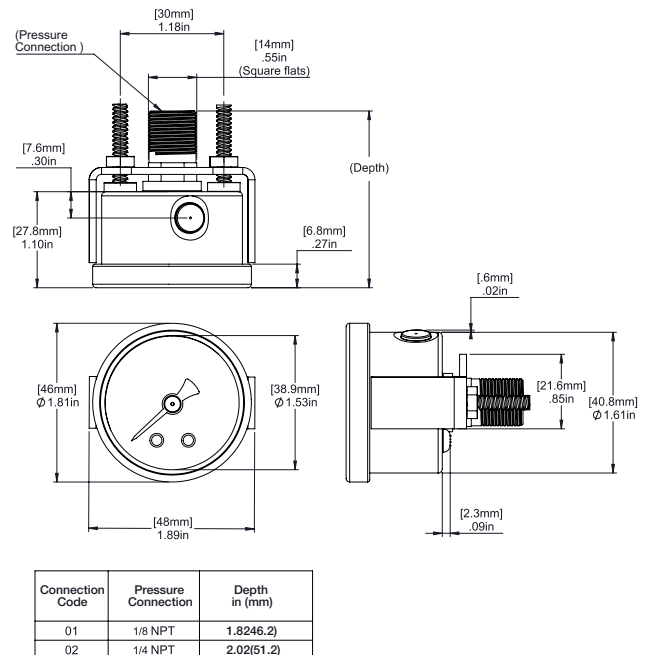
40mm 1008S 01B



40mm 1008S 01B XFF



40mm 1008S 01B XUC



Panel Cutout Dimensions for 40mm gauge

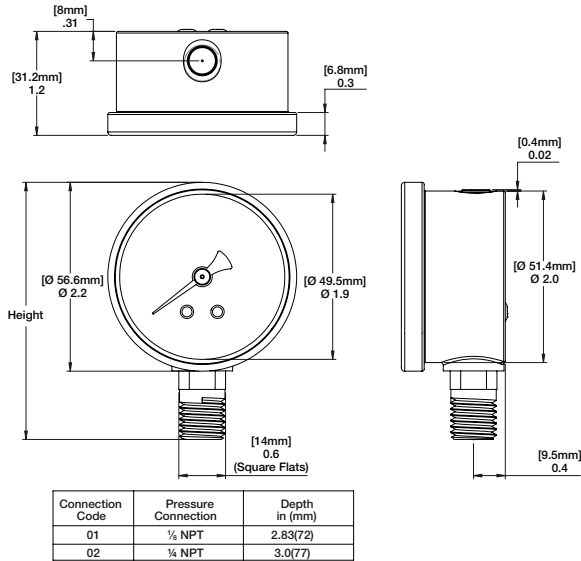
| 40mm (1½") | Min. Cutout Dia. | Max. Cutout Dia. |
|------------|------------------|------------------|
| XUC | 1.65" (42mm) | 1.69" (43mm) |
| XFF | 1.73" (44mm) | 1.77" (45mm) |

Data Sheet

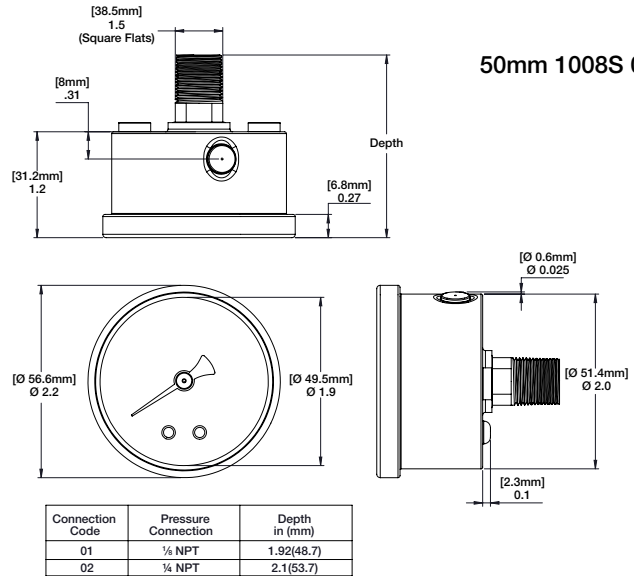
1008S 50mm (2") Stainless Steel Case Pressure Gauge

DIMENSIONS dimensions in [] are millimeters

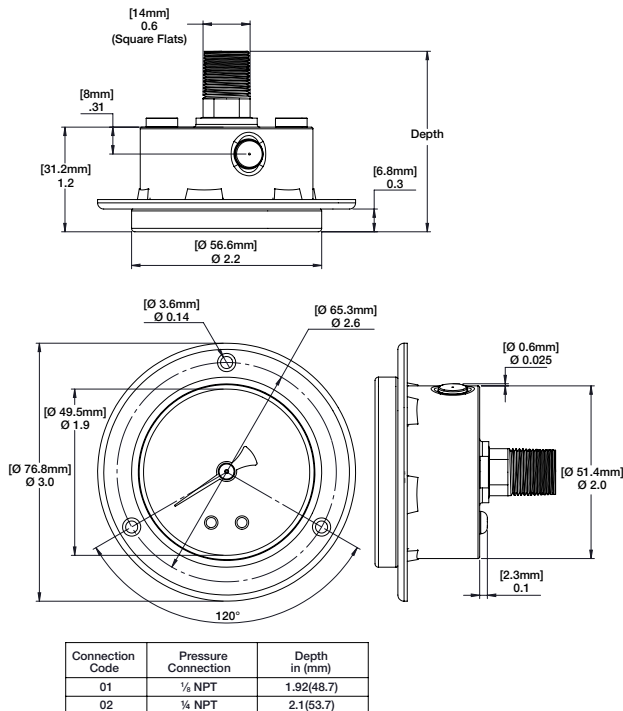
50mm 1008S 02L



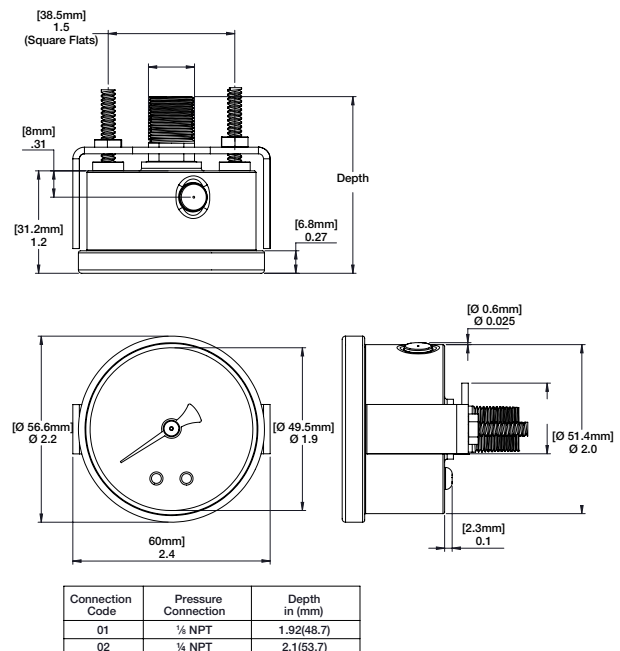
50mm 1008S 02B



50mm 1008S 02B XFF



50mm 1008S 02B XUC



Panel Cutout Dimensions for 50mm gauge

| 50mm (2") | Min. Cutout Dia. | Max. Cutout Dia. |
|-----------|------------------|------------------|
| XUC | 2.07" (52.5mm) | 2.11" (53.5mm) |
| XFF | 2.15" (54.5mm) | 2.19" (55.5mm) |