



Application area

- Machinery construction
- Chemical and petrochemical industry
- General process technology

Technical data

Constructional design / case

Basic body:	Volume reduced diaphragm base Material: stainless steel mat.-no. 1.4404/1.4435 (316L)
Diaphragm:	Flat diaphragm
Material wetted parts:	Stainless steel mat.no. 1.4404/1.4435 (316L) Further materials upon request. Basic body: Stainless steel mat.-no. 1.4404/1.4435 (316L)

Process connection

Design:	Saddle flange for welding on to the pipeline
Nominal pressure/Nominal width:	See order details

Features

- Saddle flange for welding on the pipeline
- Flush-mounted separating diaphragm of stainless steel or special material
- Multi-parted design
- Volume optimised diaphragm base
- System fillings for different applications
- Measuring device connection:
 - directly welded
 - directly screwed
 - with temperature decoupler
 - with capillary

Options

- Certificates
 - Material certificate acc. to EN 10204-3.1
- Special materials upon request

Application

Suitable for mounting to bourdon tube pressure gauges and pressure transmitters. The diaphragm seal is suited for measuring aggressive, highly viscous media and for high process temperatures.

Gasket

- Standard: fiber gasket up to 150 °C
- Alternative: graphite gasket up to 350 °C

Measuring device connection

See order details.
Material stainless steel mat.-no. 1.4301 (304)

System filling

See order details; further fillings upon request.
Further details about pressure transmission fluids see general technical information TA_038.

Temperature error

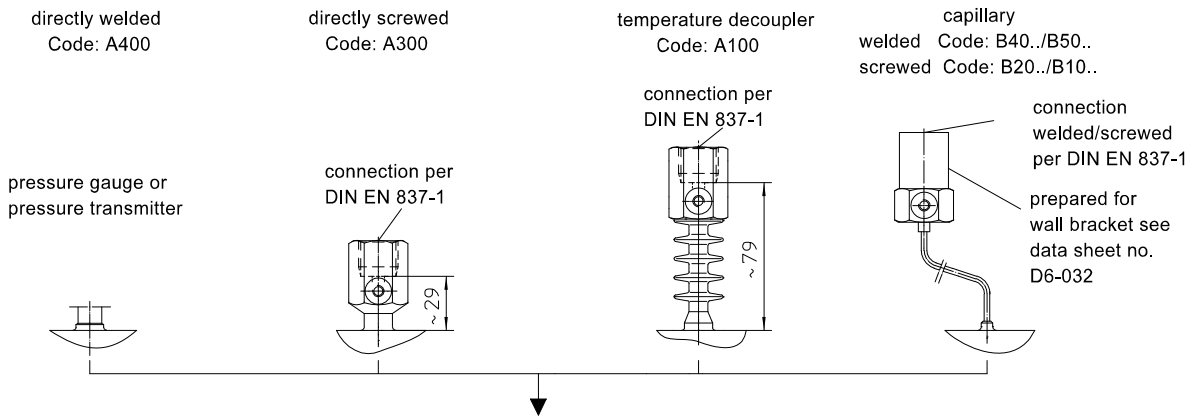
In order to optimise the system we provide a detailed error calculation upon request .

Weight

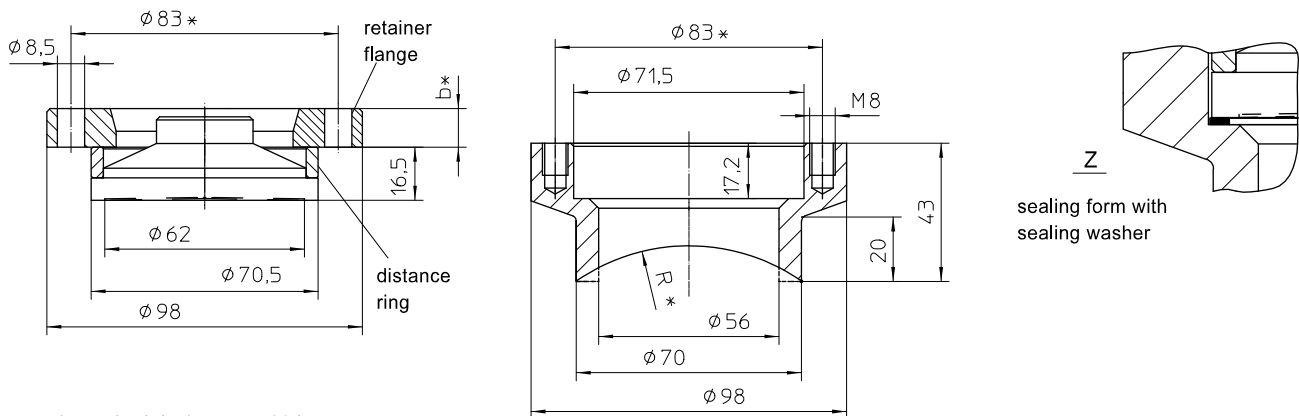
Weight with measuring device connection G1/2:
approx. 1.5 kg
With saddle flange DN 80: approx. 2.1 kg

Further information about diaphragm seals see general technical information TA_031.

Measuring device connection



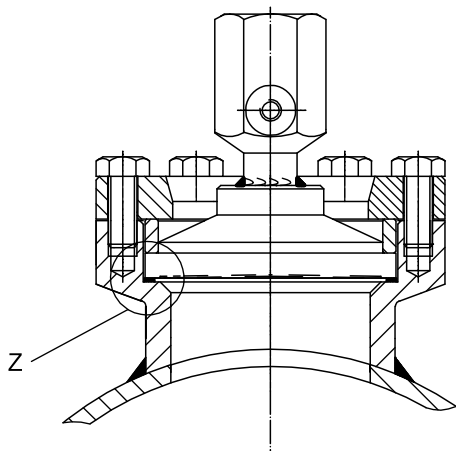
Dimensions



* standard design up to 80 bar
6 screws, $b=12$ mm

reinforced design up to 160bar
12 screws, $b=16$ mm

Mounting example



Order details

Diaphragm seal for special applications, saddle flange design, Type series DD4200

Order details diaphragm seal DD4200				
DD4200	diaphragm seal, saddle flange design, multi-parted			
D2	nominal pressure	PN 80		
D3		PN 160		
G1	diaphragm material	stainless steel mat.-no. 1.4404/1.4435 (316L), standard		
G2		Tantal		
G3		Hastelloy C 276		
G9		various		
A400	measuring device connection	directly	welded	
A300			screwed G1/2	
A100		with temperature decoupler	screwed G1/2	
B40 . .		with capillary	welded	
B20 . .			screwed G1/2	
B50 . .		with capillary and stainless steel protective tube	welded	
B10 . .			screwed G1/2	
11		capillary length	1 m	
12			1.6 m	
13			2.5 m	
14			4 m	
21			5 m	
15			6 m	
23			7 m	
16			8 m	
17			10 m	
9	others			
	system filling ¹	<u>pressure transmission fluid</u>	<u>temperature range</u> ²	
L22		Silikonfreies Synthetiköl FD1, Standard	-10...140 °C	
L23		synthetic oil, free of silicone FD1, pls. specify max. temperature	-50...230 °C	
L31		high temperature oil FV3H, pls specify max. temperature	-10...400 °C	

Accessories			
MZ2060	saddle flange		
D2	nominal pressure	PN 80	
D3		PN 160	
for pipes per EN 10357 (DIN 11850)- pipe dimensions per DIN 11866 table 1 model A			
	material stainless steel mat.-no. 1.4404/1.4435 (316L)	for pipe sizes	for pipe external Ø
K111-E1		DN 32	35 mm
K112-E1		DN 40	41 mm
K113-E1		DN 50	53 mm
K114-E1		DN 65	70 mm
K115-E1		DN 80	65 mm
K116-E1		DN 100	104 mm
K117-E1		DN 125	129 mm
K118-E1		DN 150	154 mm
K119-E1		DN 200	204 mm
for pipes per ASME-BPE- pipe dimensions per DIN 11866 table 1 model C			
	material stainless steel mat.-no. 1.4404/1.4435 (316L)	for pipe sizes	for pipe external Ø
K351-E1		1 1/2"	31.8 mm
K352-E1		2"	50.8 mm
K353-E1		2 1/2"	63.5 mm
K354-E1		3"	76.2 mm
K355-E1		4"	101.6 mm
K356-E1		5"	127.0 mm
K357-E1		6"	152.4 mm
MS2010-A12	gasket	fiber gasket, 71,5 x 65 x 1 (up to 150 °C)	
MS2010-A13		graphite gasket, 71,5 x 65 x 1 (up to 350 °C)	
MZ8100-A11	hexagon screw, DIN 933, mat. stainless steel mat.-no. 1.4301	M8 x 20 (6 pcs. PN 80)	
MZ8100-A12		M8 x 25 (12 pcs. PN 160)	

Additional features (to be indicated in case of need, only)	
W1020	material certificate per EN 10204-3.1, wetted parts

Order code (example): DD4200 - D2 - G1 - A400 - L22 - ...

¹for more detailed information about pressure transmission fluids see TA_038.
Please state temperature range to allow an accurate calculation of the system.

² max. media temperature for pressures > 0 bar rel.